



Metallic Thin Film Pressure Sensors (Pressure Transmitters) / TFP12 Series

FEATURES

High Accuracy and High Liability by the combination of Metal Diaphragm and Metallic Thin Film Gauge.

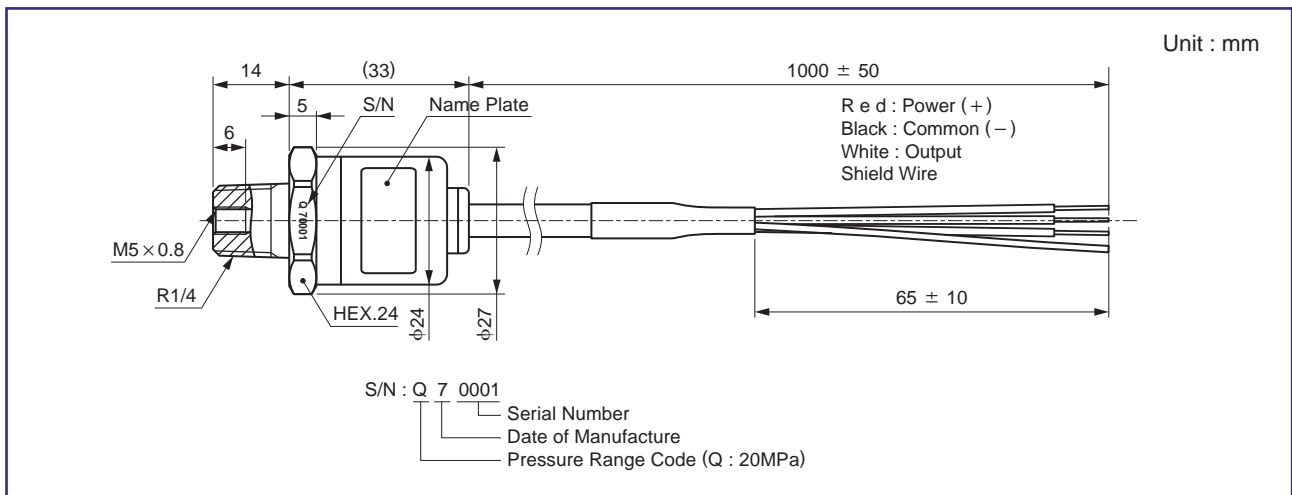
- Medium and high pressure transmitters with stainless steel diaphragm.
- Comply with a wide range of pressure media like Oil, Water, Gas which dose not spoil stainless steel.
- Comply with wide operating temperature range.
- Built-in amplifier.
- Economical, Low cost.



MODEL

TFP12 – □□□□ – □□□□
 Voltage Output Electric Structural
 Specification Specification

EXTERNAL DIMENSIONS



SPECIFICATIONS

Model No.	TFP12 – □ ■ ■ ■						
	E	G	J	L	N	Q	R
Pressure Range	0~0.5 MPa	0~1 MPa	0~2 MPa	0~5 MPa	0~10 MPa	0~20 MPa	0~35 MPa
Pressure Type	Gauge Pressure						
Pressure Medium	Non-corrosive gases or liquids compatible with SUS630 or SUS304						
Operating Temperature Range	-20 °C~80 °C						
Maximum Over Load Pressure	Rated Pressure X 1.5						
Power Source / Rated Output	Power Source: Vs= 12~24 V DC / Rated Output: 1~5 V Power Source: Vs=5.0 V DC / Rated Output: 0.5~4.5 V						
Load Resistance	More than 10 kΩ						
Response Time	Less than 3 msec						
Total Accuracy	Less than ± 3 %FS						
Linearity	*1	Less than ± 0.3 %FS			Less than ± 0.25 %FS		
Hysteresis	*1	Less than ± 0.2 %FS					
Temperature Characteristic	*1	Less than ± 0.03 %FS / °C					
Withstand Voltage	100V AC 1 min						
Protection	Correspondence IP67						
Connection	R1/4, other specication consult.						
Structure	Shield Cable Type , other specication consult.						
Cable	1,000 ± 50 mm , Specify cable length.						
Weight	Approx. 100 g						
Environmental Performance (25 ± 5 °C)	Shock Proof	490 m/s ² (X,Y,Z direction)					
	Vibration Proof	19.6 m/s ² (Oscillating Frequency:10~150 Hz, Total Sweep Time:75 min. , Sweep Times :10 times Each X,Y,Z direction)					

*1 : Reference Value. It provides for accuracy by "Total Accuracy".



MODEL NUMBER CONFIGURATION



Voltage Output
Built-in Amplifier
Pressure Sensors (Pressure Transmitters)

① Pressure Range [MPa]	E	0~0.5
	G	0~1
	J	0~2
	L	0~5
	N	0~10
	Q	0~20
	R	0~35
	② Power Source	1
2		12~24 VDC
③ Rated Output	4	0.5~4.5 V (ratiometric)
	6	1~5 V
④ Accuracy	3	Total Accuracy Less than $\pm 3\%FS$ (– 20~80 °C)
⑤ Connection	1	R1/4
⑥ Wetted Parts Material *2	2	Diaphragm:HASTELLOY C276 , Fitting:SUS316L
	6	Diaphragm:SUS630 , Fitting:SUS304
⑦ Cable Type	1	Cable Type Length:1m
	F	Specify your requirement.
⑧ Additional Spec.	0	Nil
	F	Specify your requirement.

*2 : "2" is less than pressure range 1 MPa, "6" is more than pressure range 2 MPa.