

# Coaxial Connectors

| SMA



**MKT-TAISEI Co.,Ltd.**



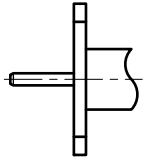
## CONTENTS

Center Contact Configuration .....	3
Specifications, Materials etc. ....	4
Receptacles .....	5-9
Plug Receptacles .....	10-11
Adapters .....	12
Convertible Adapters .....	13
Connectors for Semi-Rigid Cable .....	14-17
Connectors for Flexible Cable .....	18-19

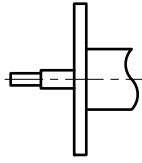


## Coaxial Connectors

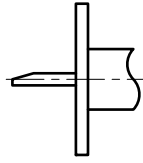
### Center Contact Configuration



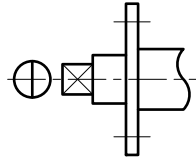
Straight Terminal



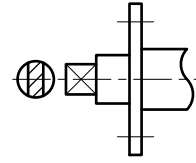
Stub Terminal



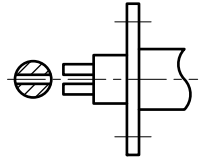
Solder Pot Terminal



Semi-round Terminal



Tab Terminal



Slot Terminal



## SMA Coaxial Connectors

**Materials/Finish**

Part Name	Materials	Finish	
		Plated	Note
Shell	Stainless Steel	Passivated	
		Gold Plated	
	Brass	Nickel Plated	
		Gold Plated	
Coupling	Stainless Steel	Passivated	Standard
		Gold Plated	
Female Contact	Beryllium Copper	Gold Plated	
Male Contact	Brass	Gold Plated	
Insulator	Teflon		
Crimp Ferrule	Brass	Nickel Plated	
Holding Ferrule	Beryllium Copper	Nickel Plated	
Gaskets	Silicone		

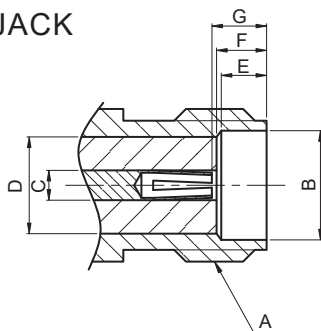
**Specifications**

Series	SMA		
Withstanding V.	AC 1000 V. One Minute		
Insulation Resistance	DC 500 V. 5000 M Ω min.		
Contact Resistance	4 m Ω max.		
Frequency Range	DC ~ 8000 MHz	DC ~ 12400 MHz	DC ~ 18000 MHz
V S W R	1.2 max.		
Impedance	50 Ω		

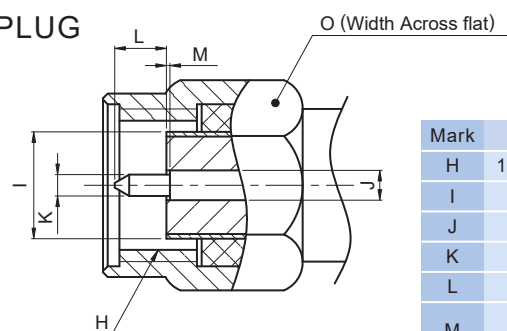
- \* Stainless passivated finish (SP) is standard for coupling SMA connectors.
- \* High frequency characteristics in the catalogue is a typical figure not a guaranteed figure.

**Dimensions**

Unit : mm

**JACK**

Mark	Dimensions
A	1/4 - 36UNS - 2A
B	$\phi 4.65^{+0.02}_{-0.05}$
C	$\phi 1.27 \pm 0.02$
D	$\phi 4.12$
E	$1.93 \pm 0.03$
F	$1.93 \pm 0.10$
G	$1.96^{+0.38}_{-0}$

**PLUG**

Mark	Dimensions
H	1/4 - 36UNS - 2B
I	$\phi 4.55 \pm 0.03$
J	$\phi 1.27 \pm 0.02$
K	$\phi 0.91 \pm 0.01$
L	2.2
M	$0^{+0.25}_{-0}$
O	8

Specifications of products are subject to change without notice.

e-sma\_top-p01-09



株式会社 **MKT TAISEI** **MKT TAISEI Co.,Ltd.**

<< Head Office >> 3-10-8, Nohagi 1st Bldg, Minami-Ikebukuro, Toshima-ku, Tokyo, 171-0022, Japan.

PHONE : 81-3-3982-0029 FAX : 81-3-3986-1537 E-mail : info@mkt-taisei.com

<< Kansai Branch >> 3-18-9, Nishi-Nakajima, Yodogawa-ku, Osaka-City, 532-0011, Japan.


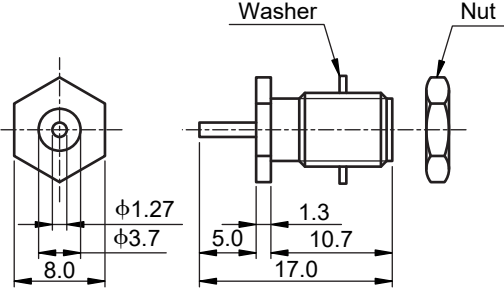
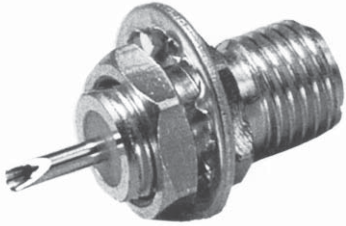
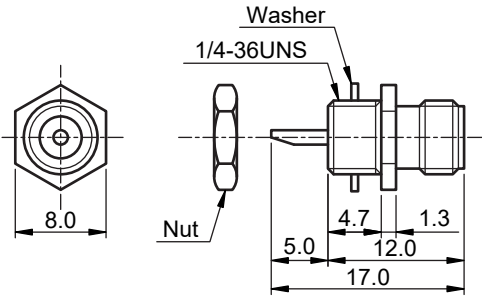
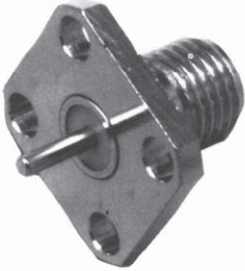
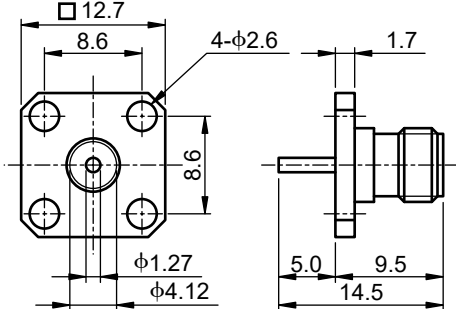
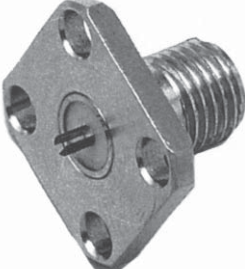
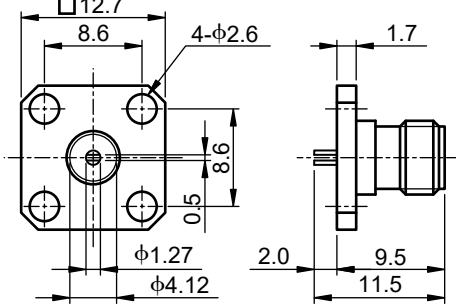
PHONE : 81-6-6390-7264 FAX : 81-6-6390-6945




We provide various configurations and dimensions of SMA series besides the below described in this table and comply with specific custom needs. Please ask for it if any.

## Receptacles

Unit:mm

	<p>Style No. <b>CON1100-BN</b></p> <p>Bulkhead Feed Through, Straight Terminal, DC ~ 12.4 GHz</p>	
	<p>Style No. <b>CON1102-BN</b></p> <p>Bulkhead Feed Through, Solder Pot Terminal, DC ~ 12.4 GHz</p>	
	<p>Style No. <b>CON1110-SP</b></p> <p>4 Hole Flange Mount, Straight Terminal, DC ~ 18 GHz</p>	
	<p>Style No. <b>CON1114-SP</b></p> <p>4 Hole Flange Mount, Slot Terminal, DC ~ 18 GHz</p>	

 Specifications of products are subject to change without notice.

e-sma\_r-p02-05



株式会社 **MKT TAISEI** **MKT TAISEI Co.,Ltd.**

<< Head Office >> 3-10-8, Nohagi 1st Bldg, Minami-Ikebukuro, Toshima-ku, Tokyo, 171-0022, Japan.

PHONE : 81-3-3982-0029 FAX : 81-3-3986-1537 E-mail : info@mkt-taisei.com

<< Kansai Branch >> 3-18-9, Nishi-Nakajima, Yodogawa-ku, Osaka-City, 532-0011, Japan.

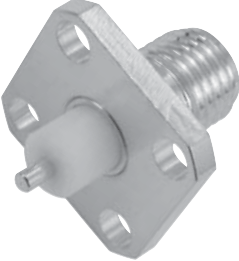
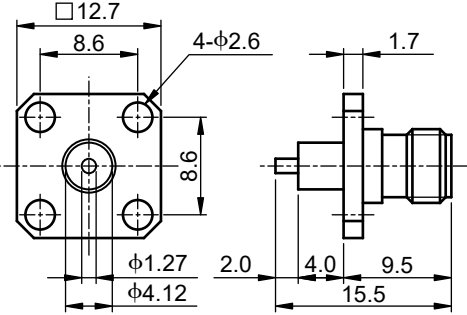
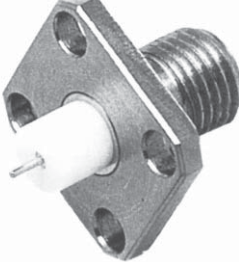
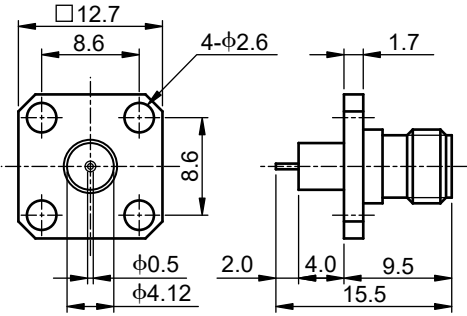
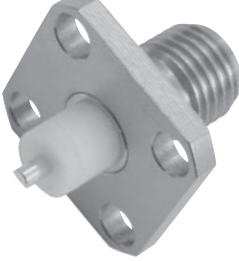
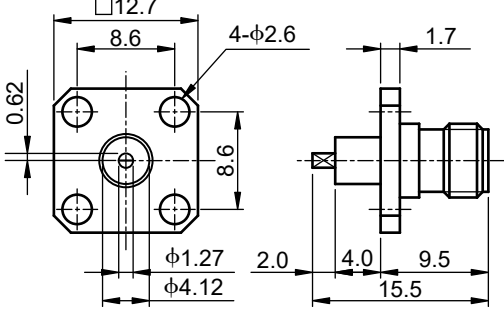
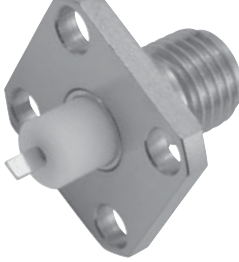
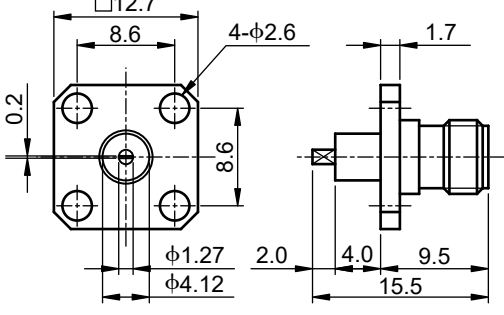
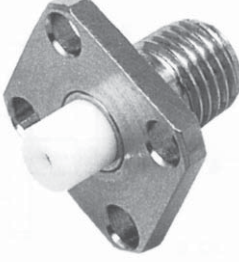
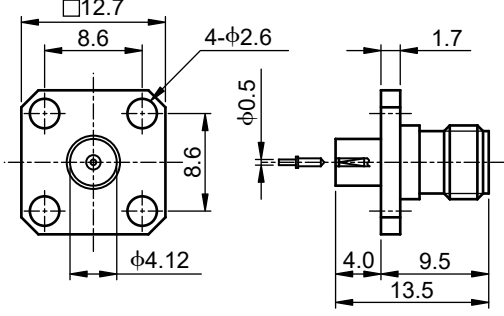
PHONE : 81-6-6390-7264 FAX : 81-6-6390-6945


<http://www.mkt-taisei.co.jp/>



## Receptacles

Unit:mm

	<p>Style No. <b>CON1120-SP</b></p> <p>4 Hole Flange Mount, Straight Terminal, DC ~ 18 GHz</p>	
	<p>Style No. <b>CON1121-SP</b></p> <p>4 Hole Flange Mount, φ0.5 Stub Terminal, DC ~ 18 GHz</p>	
	<p>Style No. <b>CON1123-SP</b></p> <p>4 Hole Flange Mount, Semi-round Terminal, DC ~ 18 GHz</p>	
	<p>Style No. <b>CON1125-SP</b></p> <p>4 Hole Flange Mount, Tab Terminal, DC ~ 18 GHz</p>	
	<p>Style No. <b>CON1126-SP</b></p> <p>4 Hole Flange Mount, Chip Type, DC ~ 18 GHz</p>	

 Specifications of products are subject to change without notice.

e-sma\_r-p03-09



株式会社 **MKT 太起** **MKT TAISEI Co.,Ltd.**

<< Head Office >> 3-10-8, Nohagi 1st Bldg, Minami-Ikebukuro, Toshima-ku, Tokyo, 171-0022, Japan.

PHONE : 81-3-3982-0029 FAX : 81-3-3986-1537 E-mail : info@mkt-taisei.com

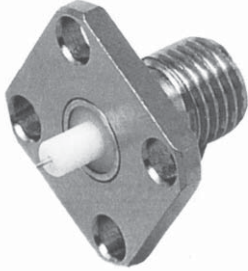
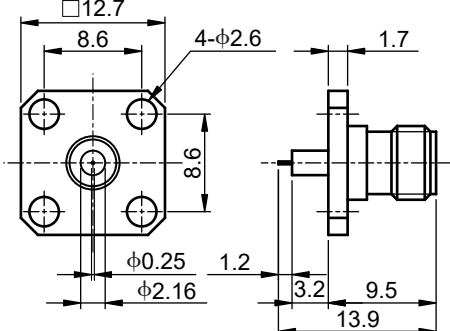
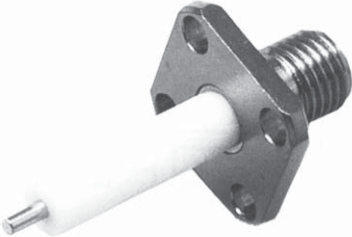
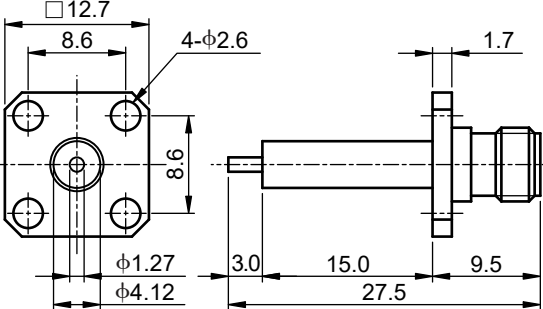
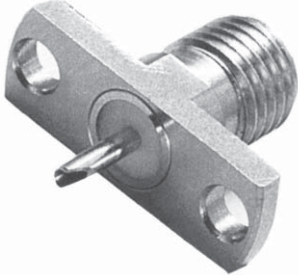
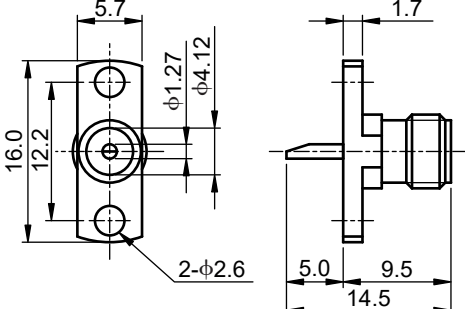
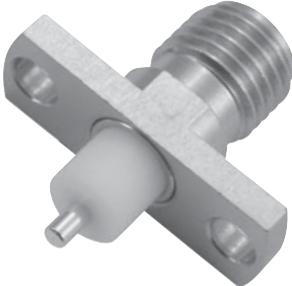
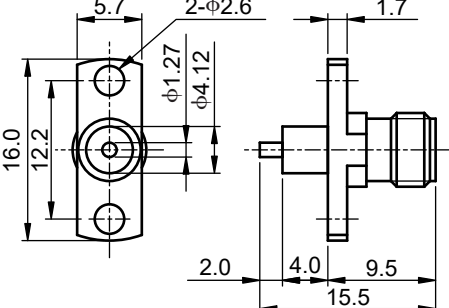
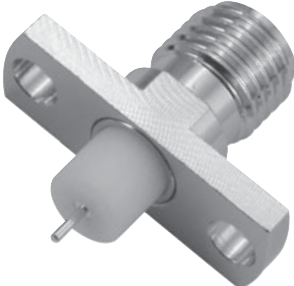
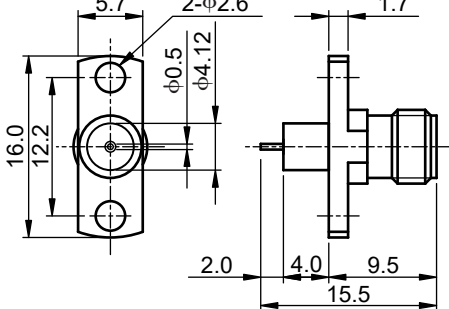
<< Kansai Branch >> 3-18-9, Nishi-Nakajima, Yodogawa-ku, Osaka-City, 532-0011, Japan.

PHONE : 81-6-6390-7264 FAX : 81-6-6390-6945



## Receptacles

Unit:mm

	<p>Style No. <b>CON1129-SP</b></p> <p>4 Hole Flange Mount, φ0.25 Stub Terminal, DC ~ 12.4 GHz</p>	
	<p>Style No. <b>CON1130-SP</b></p> <p>4 Hole Flange Mount, Straight Terminal, DC ~ 18 GHz</p>	
	<p>Style No. <b>CON1162-SP</b></p> <p>2 Hole Flange Mount, Solder Pot Terminal, DC ~ 18 GHz</p>	
	<p>Style No. <b>CON1170-SP</b></p> <p>2 Hole Flange Mount, Straight Terminal, DC ~ 18 GHz</p>	
	<p>Style No. <b>CON1171-SP</b></p> <p>2 Hole Flange Mount, Straight Terminal, DC ~ 18 GHz</p>	

⚠ Specifications of products are subject to change without notice.

e-sma\_r-p04-08



株式会社 **MKT 太成** **MKT TAISEI Co.,Ltd.**

<< Head Office >> 3-10-8, Nohagi 1st Bldg, Minami-Ikebukuro, Toshima-ku, Tokyo, 171-0022, Japan.

PHONE : 81-3-3982-0029 FAX : 81-3-3986-1537 E-mail : info@mkt-taisei.com

<< Kansai Branch >> 3-18-9, Nishi-Nakajima, Yodogawa-ku, Osaka-City, 532-0011, Japan.

PHONE : 81-6-6390-7264 FAX : 81-6-6390-6945



## Receptacles

Unit:mm

	<p>Style No. <b>CON1173-SP</b></p> <p>2 Hole Flange Mount, Semi-round Terminal, DC ~ 18 GHz</p>	
	<p>Style No. <b>CON1175-SP</b></p> <p>2 Hole Flange Mount, Tab Terminal, DC ~ 18 GHz</p>	
	<p>Style No. <b>CON1181-SP</b></p> <p>2 Hole Flange Mount, φ0.5 Stub Terminal, DC ~ 18 GHz</p>	
	<p>Style No. <b>CON1140-BN</b></p> <p>4 Hole Flange Mount, Straight Terminal, Right Angle Receptacle, DC ~ 8 GHz</p>	
	<p>Style No. <b>CON11B3-BN</b></p> <p>4 Hole Flange Mount, Semi-round Terminal, Right Angle Receptacle, DC ~ 8 GHz</p>	

⚠ Specifications of products are subject to change without notice.

e-sma\_r-p05-09



株式会社 **MKT TAISEI** **MKT TAISEI Co.,Ltd.**

<< Head Office >> 3-10-8, Nohagi 1st Bldg, Minami-Ikebukuro, Toshima-ku, Tokyo, 171-0022, Japan.

PHONE : 81-3-3982-0029 FAX : 81-3-3986-1537 E-mail : info@mkt-taisei.com

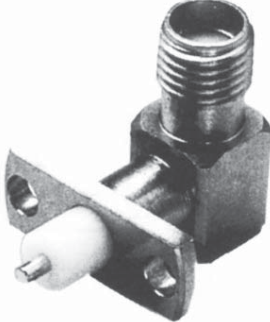
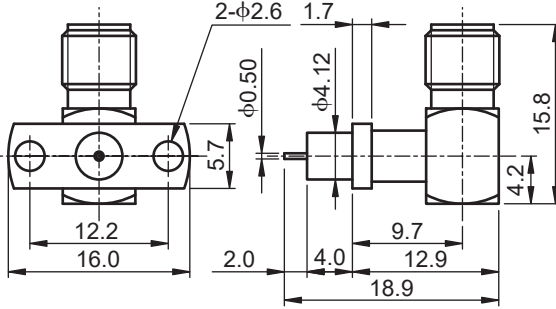
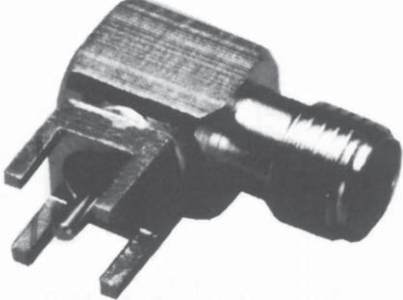
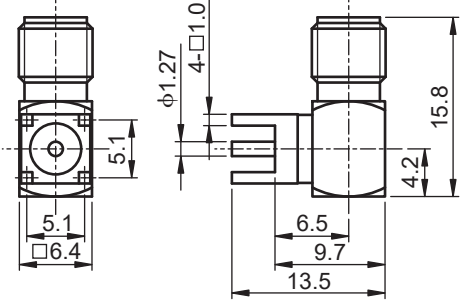

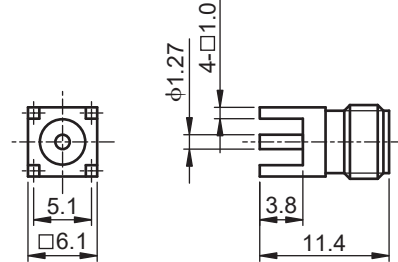
<< Kansai Branch >> 3-18-9, Nishi-Nakajima, Yodogawa-ku, Osaka-City, 532-0011, Japan.


PHONE : 81-6-6390-7264 FAX : 81-6-6390-6945



## Receptacles

Unit:mm

	<p>Style No. <b>CON11C1-BN</b></p> <p>2 Hole Flange Mount, φ 0.5 Stub Terminal, Right Angle Receptacle, DC ~ 8 GHz</p>	
	<p>Style No. <b>CON1150-BG</b></p> <p>Designed for Printed Circuit Boards, Right Angle Receptacle, DC ~ 5 GHz</p>	
	<p>Style No. <b>CON11A0-BG</b></p> <p>Designed for Printed Circuit Boards, Straight Receptacle, DC ~ 8 GHz</p>	

 Specifications of products are subject to change without notice.

e-sma\_r-p06-07



株式会社 **MKT 株式会社** **MKT TAISEI Co.,Ltd.**

<< Head Office >> 3-10-8, Nohagi 1st Bldg, Minami-Ikebukuro, Toshima-ku, Tokyo, 171-0022, Japan.

PHONE : 81-3-3982-0029 FAX : 81-3-3986-1537 E-mail : info@mkt-taisei.com

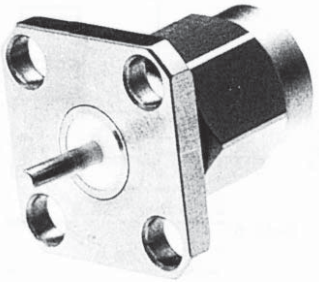
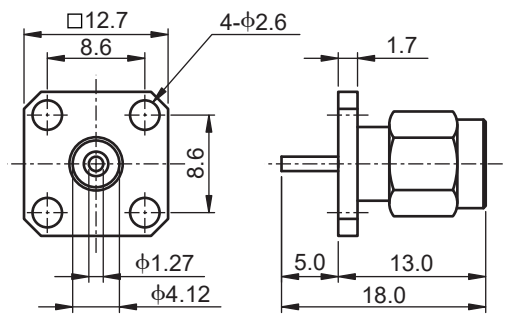
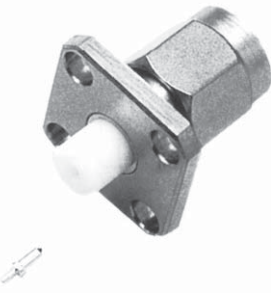
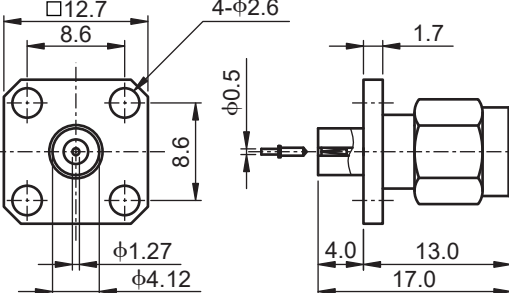
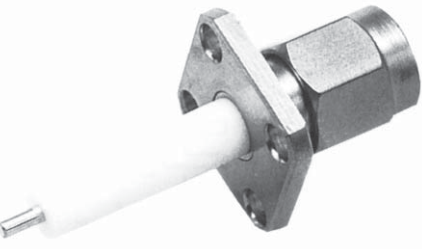
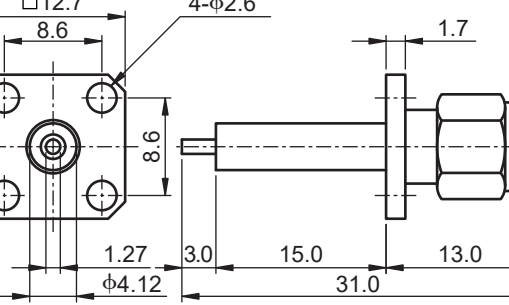
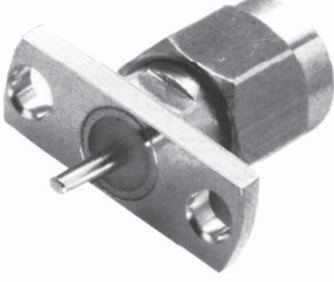
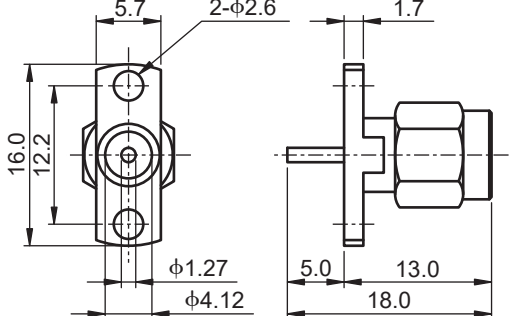
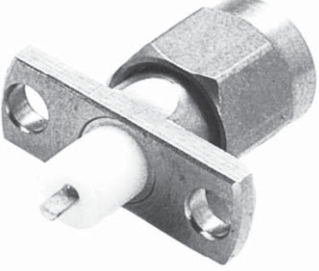
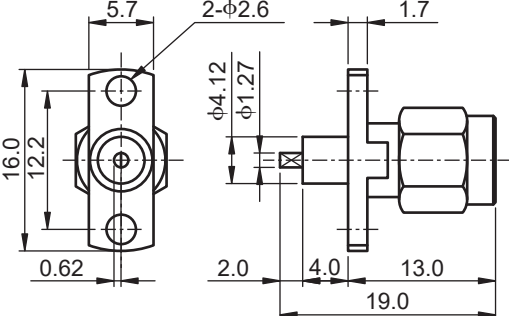
<< Kansai Branch >> 3-18-9, Nishi-Nakajima, Yodogawa-ku, Osaka-City, 532-0011, Japan.

PHONE : 81-6-6390-7264 FAX : 81-6-6390-6945



## Plug Receptacles

Unit:mm

	<p>Style No. <b>CON1210-SP</b></p> <p>4 Hole Flange Mount, Straight Terminal, DC ~ 18 GHz</p>	
	<p>Style No. <b>CON1226-SP</b></p> <p>4 Hole Flange Mount, Chip Type, DC ~ 18 GHz</p>	
	<p>Style No. <b>CON1230-SP</b></p> <p>4 Hole Flange Mount, Straight Terminal, DC ~ 18 GHz</p>	
	<p>Style No. <b>CON1260-SP</b></p> <p>2 Hole Flange Mount, Straight Terminal, DC ~ 18 GHz</p>	
	<p>Style No. <b>CON1273-SP</b></p> <p>2 Hole Flange Mount, Semi-round Terminal, DC ~ 18 GHz</p>	

⚠ Specifications of products are subject to change without notice.

e-sma\_p-p06-08



株式会社 **MKT 太成** **MKT TAISEI Co., Ltd.**

<< Head Office >> 3-10-8, Nohagi 1st Bldg, Minami-Ikebukuro, Toshima-ku, Tokyo, 171-0022, Japan.

PHONE : 81-3-3982-0029 FAX : 81-3-3986-1537 E-mail : info@mkt-taisei.com

<< Kansai Branch >> 3-18-9, Nishi-Nakajima, Yodogawa-ku, Osaka-City, 532-0011, Japan.

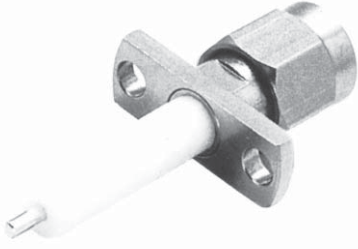
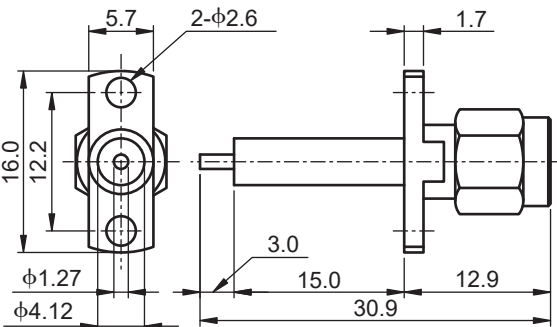
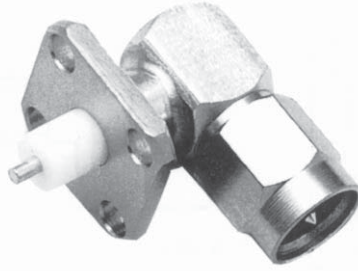
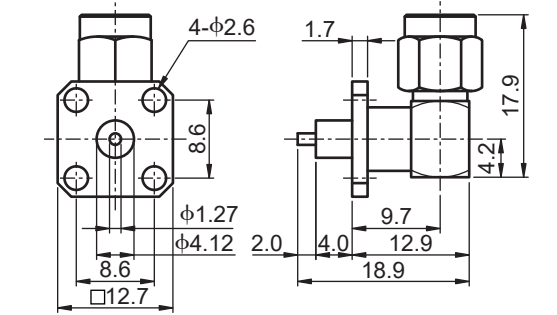
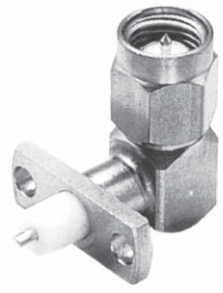
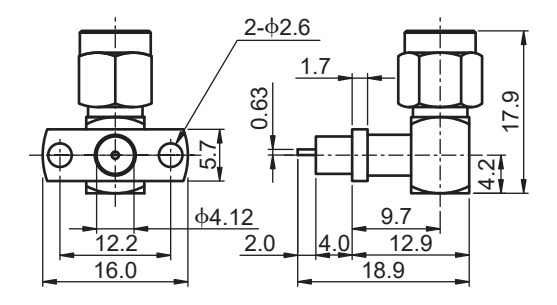
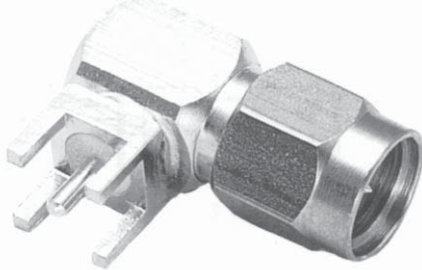
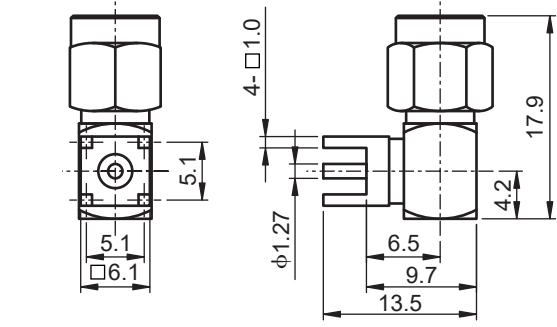
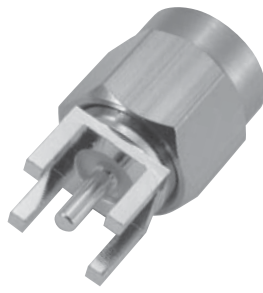
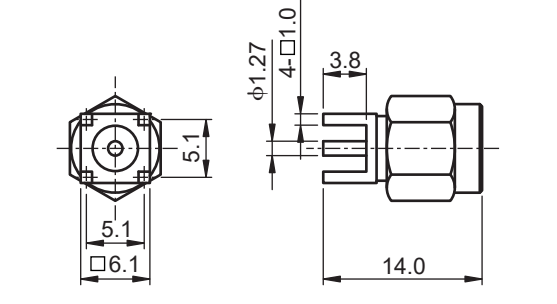
PHONE : 81-6-6390-7264 FAX : 81-6-6390-6945

<http://www.mkt-taisei.co.jp/>



## Plug Receptacles

Unit:mm

	<p>Style No. <b>CON1280-SP</b></p> <p>2 Hole Flange Mount, Straight Terminal, DC ~ 18 GHz</p>	
	<p>Style No. <b>CON12B0-BN</b></p> <p>4 Hole Flange Mount, Straight Terminal, Right Angle Receptacle, DC ~ 8 GHz, Coupling : SP</p>	
	<p>Style No. <b>CON12C3-BN</b></p> <p>2 Hole Flange Mount, Semi-round Terminal, Right Angle Receptacle, DC ~ 8 GHz, Coupling : SP</p>	
	<p>Style No. <b>CON1250-BG</b></p> <p>Designed for Printed Circuit Boards, Right Angle Receptacle, DC ~ 8 GHz, Coupling : SP</p>	
	<p>Style No. <b>CON12A0-BG</b></p> <p>Designed for Printed Circuit Boards, Straight Plug Receptacle, DC ~ 8 GHz, Coupling : SP</p>	

⚠ Specifications of products are subject to change without notice.

e-sma\_p-p07-07



株式会社 **MKT 太セイ** **MKT TAISEI Co.,Ltd.**

<< Head Office >> 3-10-8, Nohagi 1st Bldg, Minami-Ikebukuro, Toshima-ku, Tokyo, 171-0022, Japan.

PHONE : 81-3-3982-0029 FAX : 81-3-3986-1537 E-mail : info@mkt-taisei.com

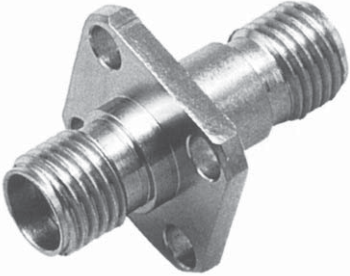
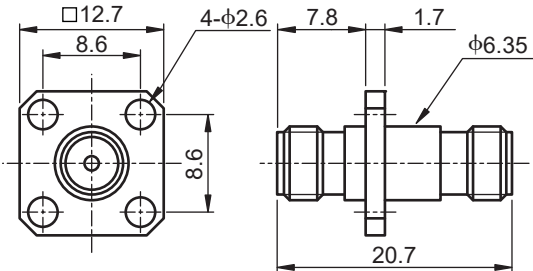

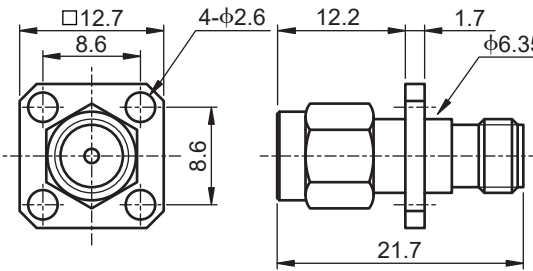

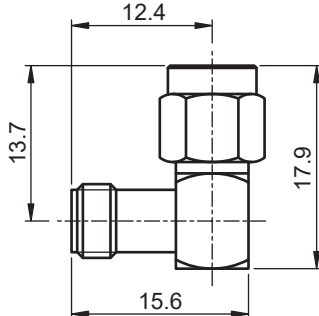
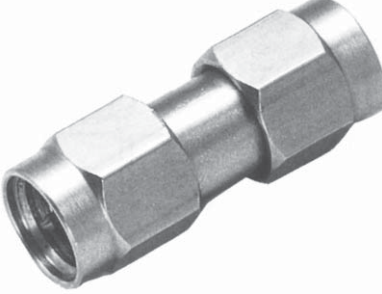
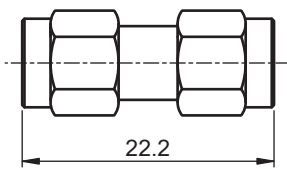
<< Kansai Branch >> 3-18-9, Nishi-Nakajima, Yodogawa-ku, Osaka-City, 532-0011, Japan.


PHONE : 81-6-6390-7264 FAX : 81-6-6390-6945



## Adapters

Unit:mm

	<p>Style No. <b>CON1310-SP</b></p> <p>4 Hole Flange Mount, Jack - Jack, DC ~ 18 GHz</p>	
	<p>Style No. <b>CON1320-SP</b></p> <p>4 Hole Flange Mount, Jack - Plug, DC ~ 18 GHz</p>	
	<p>Style No. <b>CON1340-SP</b></p> <p>Right Angle, Jack - Plug, DC ~ 8 GHz</p>	
	<p>Style No. <b>CON1330-SP</b></p> <p>Plug - Plug, DC ~ 18 GHz</p>	

 Specifications of products are subject to change without notice.

e-sma\_a-p08-05



株式会社 **MKT たいせい** **MKT TAISEI Co.,Ltd.**

<< Head Office >> 3-10-8, Nohagi 1st Bldg, Minami-Ikebukuro, Toshima-ku, Tokyo, 171-0022, Japan.

PHONE : 81-3-3982-0029 FAX : 81-3-3986-1537 E-mail : info@mkt-taisei.com

<< Kansai Branch >> 3-18-9, Nishi-Nakajima, Yodogawa-ku, Osaka-City, 532-0011, Japan.

PHONE : 81-6-6390-7264 FAX : 81-6-6390-6945



## Convertible Adapters

Unit:mm

	<p>Style No. CON1350-BN</p> <p>N Jack - SMA Jack</p>	
	<p>Style No. CON1360-BN</p> <p>N Jack - SMA Plug</p>	
	<p>Style No. CON1370-BN</p> <p>N Plug - SMA Plug</p>	
	<p>Style No. CON1380-BN</p> <p>N Plug - SMA Plug</p>	

⚠ Specifications of products are subject to change without notice.

e-sma\_ca-p09-05



株式会社 **MKT たいせい** **MKT TAISEI Co.,Ltd.**

<< Head Office >> 3-10-8, Nohagi 1st Bldg, Minami-Ikebukuro, Toshima-ku, Tokyo, 171-0022, Japan.

PHONE : 81-3-3982-0029 FAX : 81-3-3986-1537 E-mail : info@mkt-taisei.com

<< Kansai Branch >> 3-18-9, Nishi-Nakajima, Yodogawa-ku, Osaka-City, 532-0011, Japan.

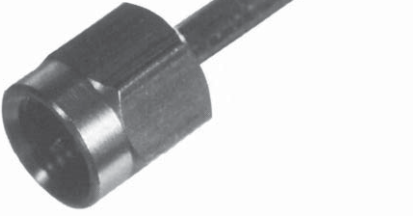
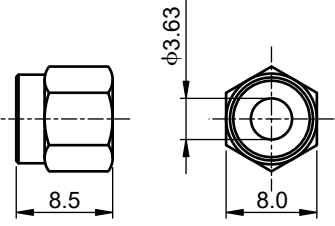
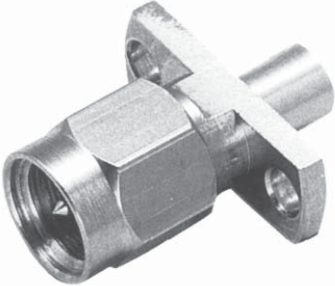
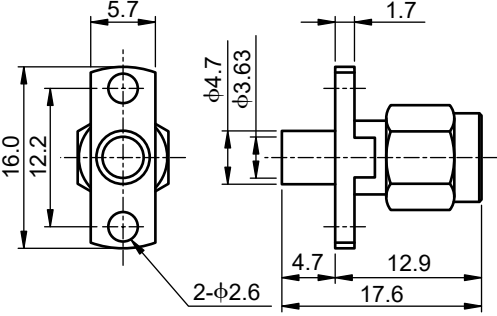
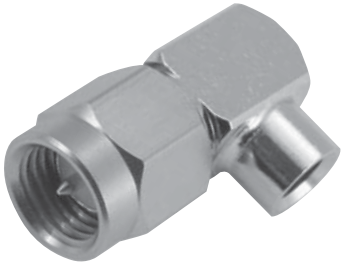
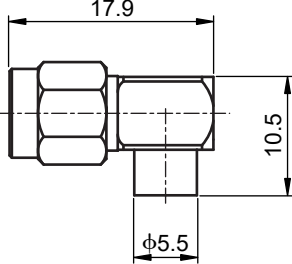

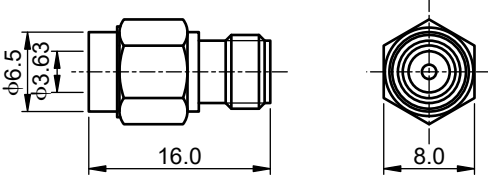
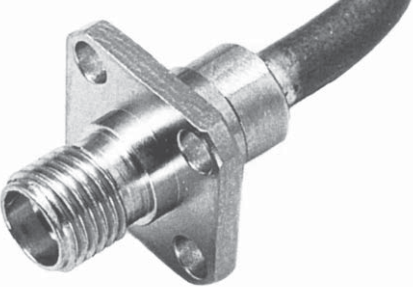
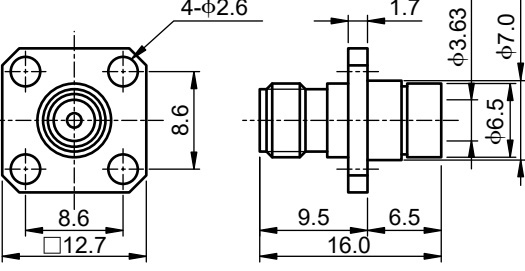
PHONE : 81-6-6390-7264 FAX : 81-6-6390-6945

<http://www.mkt-taisei.co.jp/>



## Connectors for Semi-Rigid Cable

Unit:mm

	<p>Style No. <b>CON1400-BN</b></p> <p>0.141 inch Cables, Plug, DC ~ 18 GHz, Coupling : SP</p>	
	<p>Style No. <b>CON1460-BN</b></p> <p>2 Hole Flange Mount, 0.141 inch Cables, Plug, DC ~ 12.4 GHz, Coupling : SP</p>	
	<p>Style No. <b>CON1440-BN</b></p> <p>0.141 inch Cables, Right Angle Plug, DC ~ 8 GHz, Coupling : SP</p>	
	<p>Style No. <b>CON1500-BN</b></p> <p>0.141 inch Cables, Jack, DC ~ 12.4 GHz</p>	
	<p>Style No. <b>CON1510-SP</b></p> <p>4 Hole Flange Mount, 0.141 inch Cables, Jack, DC ~ 12.4 GHz, Shell : BN</p>	

⚠ Specifications of products are subject to change without notice.

e-sma\_sr-p10-07



株式会社 **MKT TAISEI** **MKT TAISEI Co.,Ltd.**

<< Head Office >> 3-10-8, Nohagi 1st Bldg, Minami-Ikebukuro, Toshima-ku, Tokyo, 171-0022, Japan.

PHONE : 81-3-3982-0029 FAX : 81-3-3986-1537 E-mail : info@mkt-taisei.com

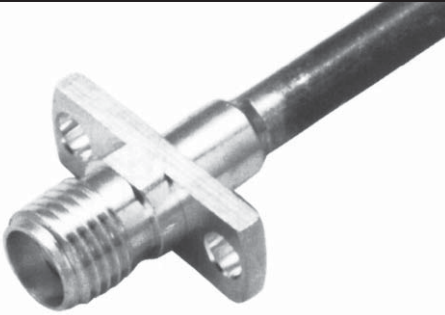
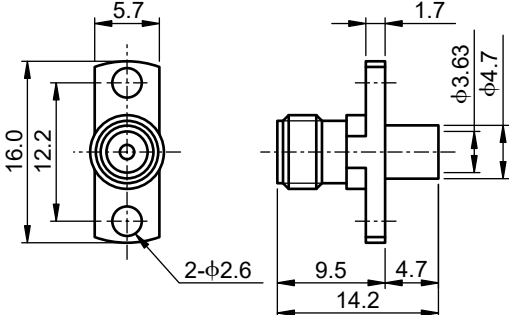
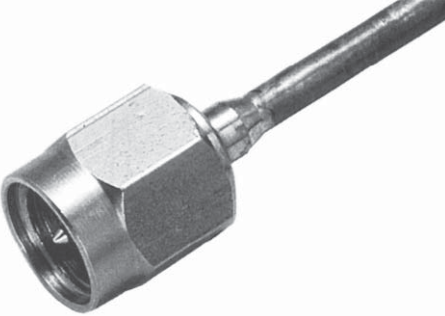
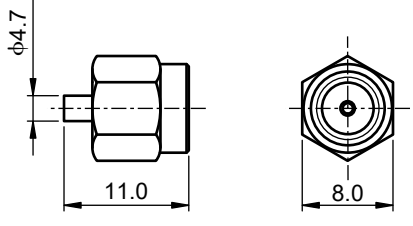
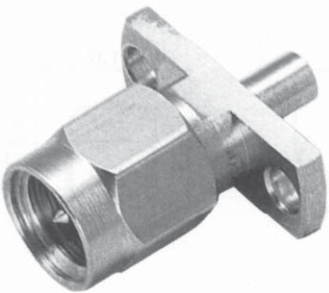
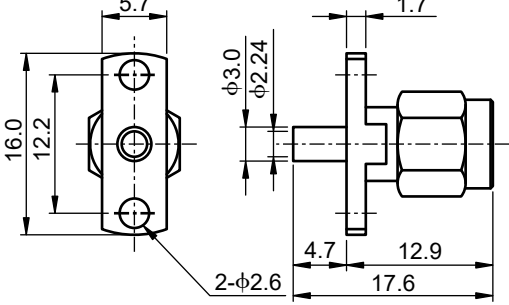
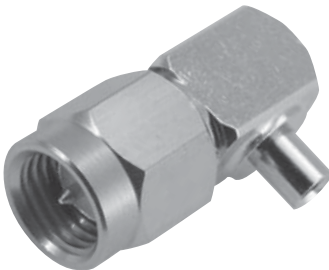
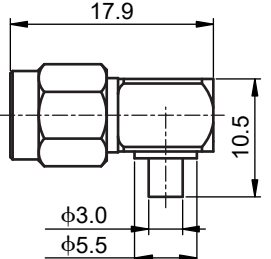
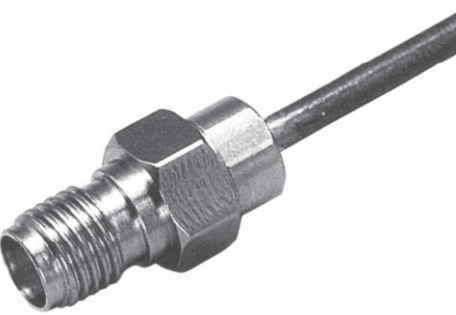
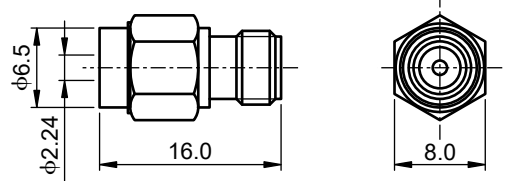
<< Kansai Branch >> 3-18-9, Nishi-Nakajima, Yodogawa-ku, Osaka-City, 532-0011, Japan.

PHONE : 81-6-6390-7264 FAX : 81-6-6390-6945



## Connectors for Semi-Rigid Cable

Unit:mm

	<p>Style No. CON1560-BG</p> <p>2 Hole Flange Mount, 0.141 inch Cables, Jack, DC ~ 12.4 GHz</p>	
	<p>Style No. CON1401-BG</p> <p>0.085 inch Cables, Plug, DC ~ 12.4 GHz, Coupling : SP</p>	
	<p>Style No. CON1461-BN</p> <p>2 Hole Flange Mount, 0.085 inch Cables, Plug, DC ~ 12.4 GHz, Coupling : SP</p>	
	<p>Style No. CON1441-BN</p> <p>0.085 inch Cables, Right Angle Plug, DC ~ 8 GHz, Coupling : SP</p>	
	<p>Style No. CON1501-BN</p> <p>0.085 inch Cables, Jack, DC ~ 12.4 GHz</p>	

⚠ Specifications of products are subject to change without notice.

e-sma\_sr-p11-06



株式会社 **MKT 太セイ** **MKT TAISEI Co.,Ltd.**

<< Head Office >> 3-10-8, Nohagi 1st Bldg, Minami-Ikebukuro, Toshima-ku, Tokyo, 171-0022, Japan.

PHONE : 81-3-3982-0029 FAX : 81-3-3986-1537 E-mail : info@mkt-taisei.com

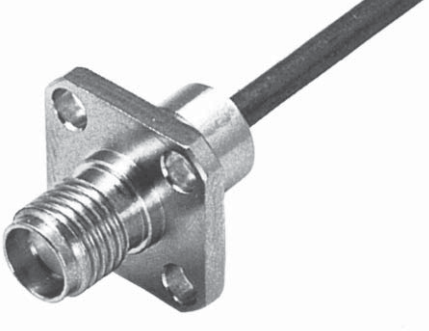
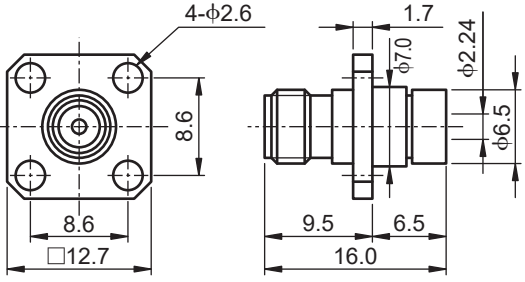

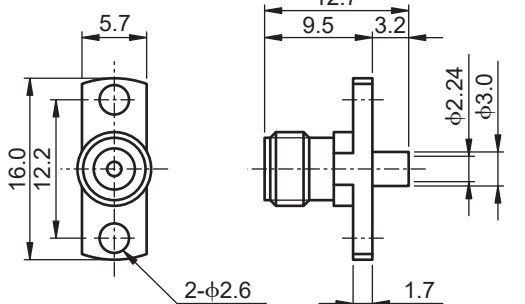
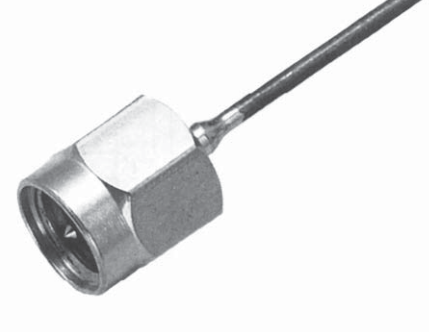
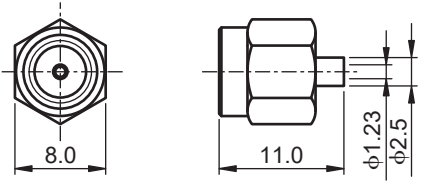

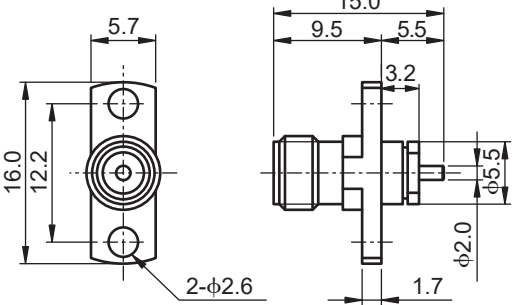
<< Kansai Branch >> 3-18-9, Nishi-Nakajima, Yodogawa-ku, Osaka-City, 532-0011, Japan.


PHONE : 81-6-6390-7264 FAX : 81-6-6390-6945



## Connectors for Semi-Rigid Cable

Unit:mm

	<p>Style No. <b>CON1511-SP</b></p> <p>4 Hole Flange Mount, 0.085 inch Cables, Jack, DC ~ 12.4 GHz, Shell : BN</p>	
	<p>Style No. <b>CON1561-BG</b></p> <p>2 Hole Flange Mount, 0.085 inch Cables, Jack, DC ~ 12.4 GHz</p>	
	<p>Style No. <b>CON1402-BG</b></p> <p>0.047 inch Cables, Plug, DC ~ 12.4 GHz Coupling : SP</p>	
	<p>Style No. <b>CON1562-BG</b></p> <p>2 Hole Flange Mount, 0.047 inch Cables, Jack, DC ~ 12.4 GHz</p>	

 Specifications of products are subject to change without notice.

e-sma\_sr-p12-06



株式会社 **MKT 太セイ** **MKT TAISEI Co.,Ltd.**

<< Head Office >> 3-10-8, Nohagi 1st Bldg, Minami-Ikebukuro, Toshima-ku, Tokyo, 171-0022, Japan.

PHONE : 81-3-3982-0029 FAX : 81-3-3986-1537 E-mail : info@mkt-taisei.com

<< Kansai Branch >> 3-18-9, Nishi-Nakajima, Yodogawa-ku, Osaka-City, 532-0011, Japan.

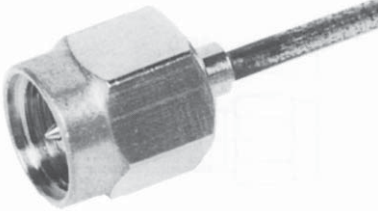
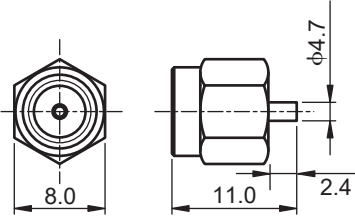
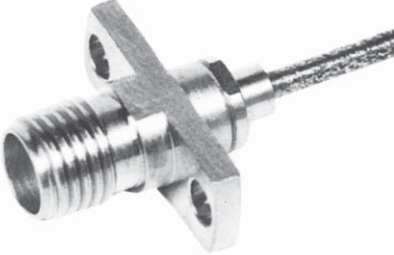
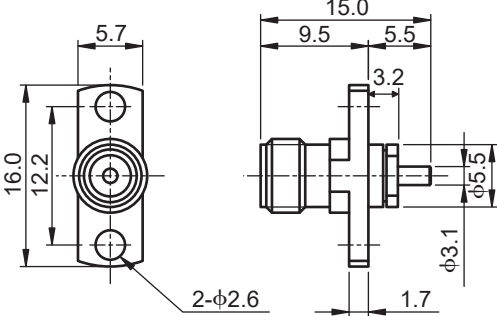
PHONE : 81-6-6390-7264 FAX : 81-6-6390-6945

<http://www.mkt-taisei.co.jp/>



## Connectors for Semi-Rigid Cable

Unit:mm

	<p>Style No. <b>CON1403-BG</b></p> <p>0.063 inch Cables, Plug, DC ~ 12.4 GHz Coupling : SP</p>	
	<p>Style No. <b>CON1563-BG</b></p> <p>2 Hole Flange Mount, 0.063 inch Cables, Jack, DC ~ 12.4 GHz</p>	

Notice: These connectors can be used for Semi-Flexible Cable.

⚠ Specifications of products are subject to change without notice.

e-sma\_sr-p13-08



株式会社 **MKT たいせい** **MKT TAISEI Co.,Ltd.**

<< Head Office >> 3-10-8, Nohagi 1st Bldg, Minami-Ikebukuro, Toshima-ku, Tokyo, 171-0022, Japan.

PHONE : 81-3-3982-0029 FAX : 81-3-3986-1537 E-mail : info@mkt-taisei.com

<< Kansai Branch >> 3-18-9, Nishi-Nakajima, Yodogawa-ku, Osaka-City, 532-0011, Japan.

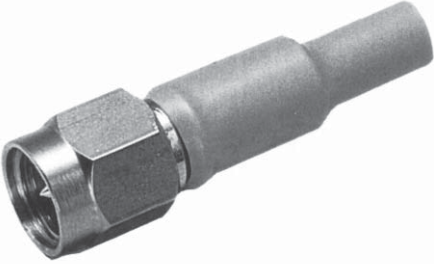
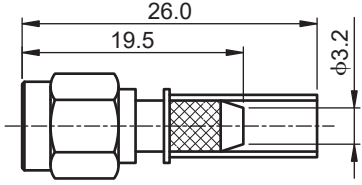

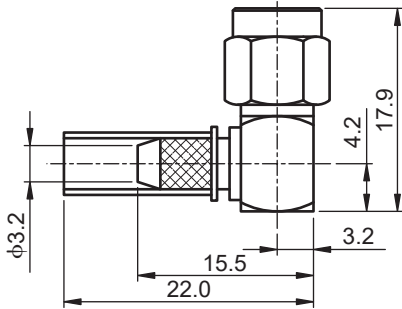
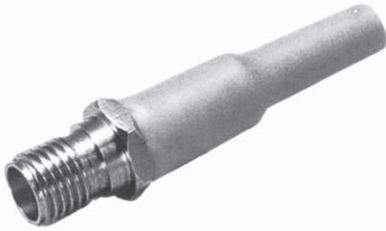
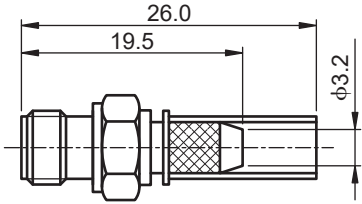
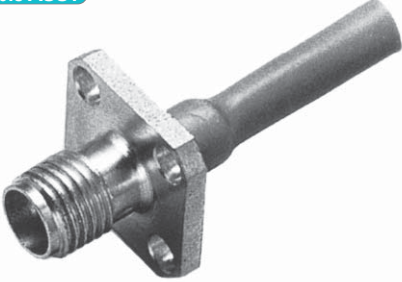
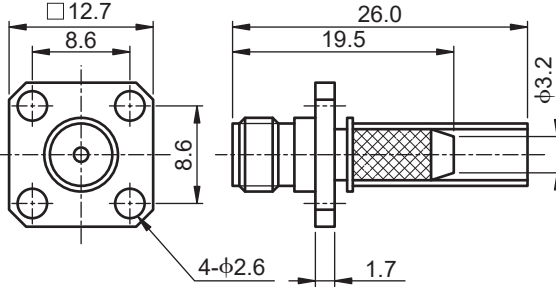
PHONE : 81-6-6390-7264 FAX : 81-6-6390-6945

<http://www.mkt-taisei.co.jp/>



## Connectors for Flexible Cable

Unit:mm

<p><b>Cable ASSY</b></p> 	<p>Style No. <b>CON1601-BN</b></p> <p>3D-2V, Plug, DC ~ 12.4 GHz Coupling : SP</p>	
<p><b>Cable ASSY</b></p> 	<p>Style No. <b>CON1641-BN</b></p> <p>3D-2V, Right Angle Plug, DC ~ 8 GHz Coupling : SP</p>	
<p><b>Cable ASSY</b></p> 	<p>Style No. <b>CON1701-BN</b></p> <p>3D-2V, Jack, DC ~ 12.4 GHz</p>	
<p><b>Cable ASSY</b></p> 	<p>Style No. <b>CON1711-BN</b></p> <p>3D-2V, 4 Hole Flange Mount, Jack, DC ~ 12.4 GHz</p>	

**Cable ASSY** Products with this mark are cable assemblies. Please specify the type and length of the cable at the time of order.

⚠ Specifications of products are subject to change without notice.

e-sma\_f-p14-08



株式会社 **MKT たいせい** **MKT TAISEI Co.,Ltd.**

<< Head Office >> 3-10-8, Nohagi 1st Bldg, Minami-Ikebukuro, Toshima-ku, Tokyo, 171-0022, Japan.

PHONE : 81-3-3982-0029 FAX : 81-3-3986-1537 E-mail : info@mkt-taisei.com

<< Kansai Branch >> 3-18-9, Nishi-Nakajima, Yodogawa-ku, Osaka-City, 532-0011, Japan.

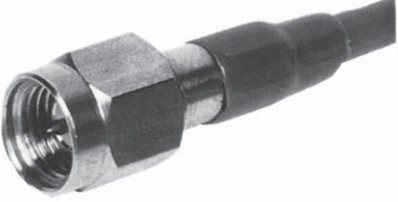
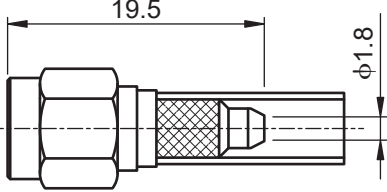
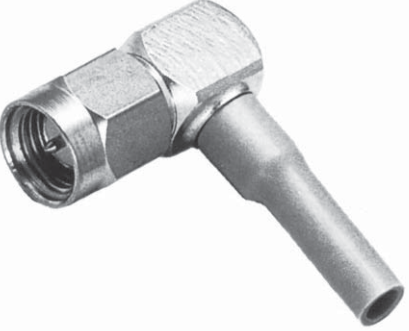
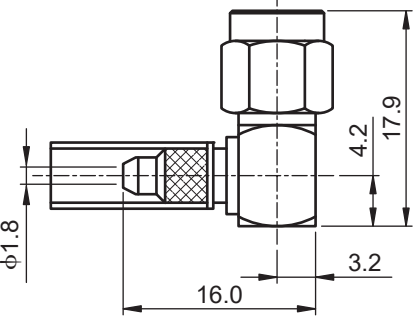

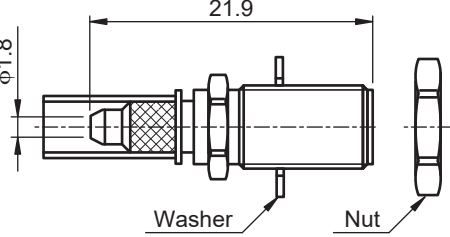
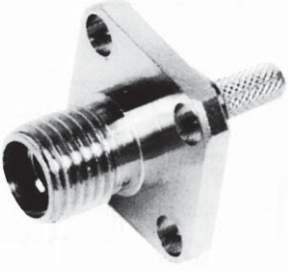
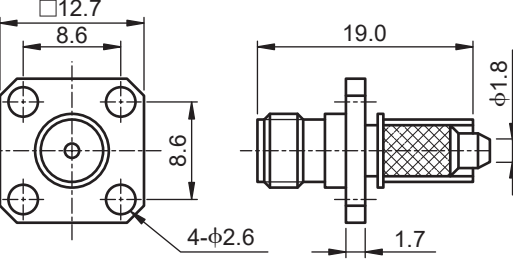
PHONE : 81-6-6390-7264 FAX : 81-6-6390-6945

<http://www.mkt-taisei.co.jp/>



## Connectors for Flexible Cable

Unit:mm

<p><b>Cable ASSY</b></p> 	<p>Style No. CON1604-BN</p> <p>1.5D-2V, Plug, DC ~ 8 GHz Coupling : SP</p> <hr/> <p>Style No. CON1606-BN</p> <p>1.5D-2W, Plug, DC ~ 8 GHz Coupling : SP</p>	 <p>19.5 φ1.8</p>
<p><b>Cable ASSY</b></p> 	<p>Style No. CON1644-BN</p> <p>1.5D-2V, Right Angle Plug, DC ~ 8 GHz Coupling : SP</p> <hr/> <p>Style No. CON1645-BN</p> <p>1.5D-2W, Right Angle Plug, DC ~ 8 GHz Coupling : SP</p>	 <p>17.9 4.2 16.0 3.2 φ1.8</p>
<p><b>Cable ASSY</b></p> 	<p>Style No. CON1704-BN</p> <p>1.5D-2V, Jack, DC ~ 8 GHz</p> <hr/> <p>Style No. CON1706-BN</p> <p>1.5D-2W, Jack, DC ~ 8 GHz</p>	 <p>21.9 φ1.8 Washer Nut</p>
<p><b>Cable ASSY</b></p> 	<p>Style No. CON1714-BN</p> <p>1.5D-2V, 4 Hole Flange Mount, Jack, DC ~ 8 GHz</p> <hr/> <p>Style No. CON1715-BN</p> <p>1.5D-2W, 4 Hole Flange Mount, Jack, DC ~ 8 GHz</p>	 <p>12.7 8.6 8.6 4-φ2.6 19.0 1.7 φ1.8</p>

**Cable ASSY** Products with this mark are cable assemblies. Please specify the type and length of the cable at the time of order. We comply with ultra short dia-cable for RG series. Please consult if required.

⚠ Specifications of products are subject to change without notice.

e-sma\_f-p15-07



株式会社 **MKT TAISEI** **MKT TAISEI Co.,Ltd.**

<< Head Office >> 3-10-8, Nohagi 1st Bldg, Minami-Ikebukuro, Toshima-ku, Tokyo, 171-0022, Japan.

PHONE : 81-3-3982-0029 FAX : 81-3-3986-1537 E-mail : info@mkt-taisei.com

<< Kansai Branch >> 3-18-9, Nishi-Nakajima, Yodogawa-ku, Osaka-City, 532-0011, Japan.

PHONE : 81-6-6390-7264 FAX : 81-6-6390-6945



**TAISEI Co.,Ltd.**

HEAD OFFICE 6972, Shimo-yoshida, Chichibu-shi, Saitama-ken, 369-1593, Japan.  
TEL:81-494-77-1211 FAX:81-494-77-1415

(BUSINESS)

**MKT-TAISEI Co.,Ltd.**

HEAD OFFICE 3-10-8, Nohagi 1st Bldg, Minami-ikebukuro, Toshima-ku, Tokyo, 171-0022, Japan.  
TEL:81-3-3982-0029 FAX:81-3-3986-1537  
E-mail : info@mkt-taisei.com

KANSAI BRANCH 3-18-9, Nishi-nakajima, Yodogawa-ku, Osaka-shi, 532-0011, Japan.  
TEL:81-6-6390-7264 FAX:81-6-6390-6945

URL : <http://www.mkt-taisei.co.jp/>