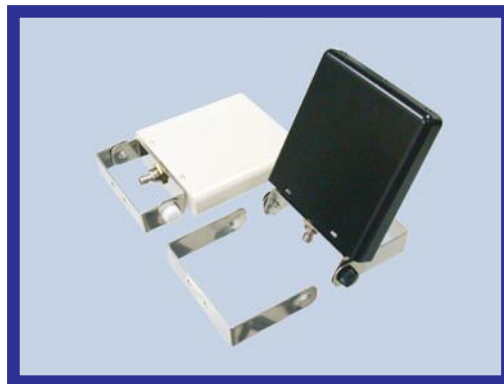
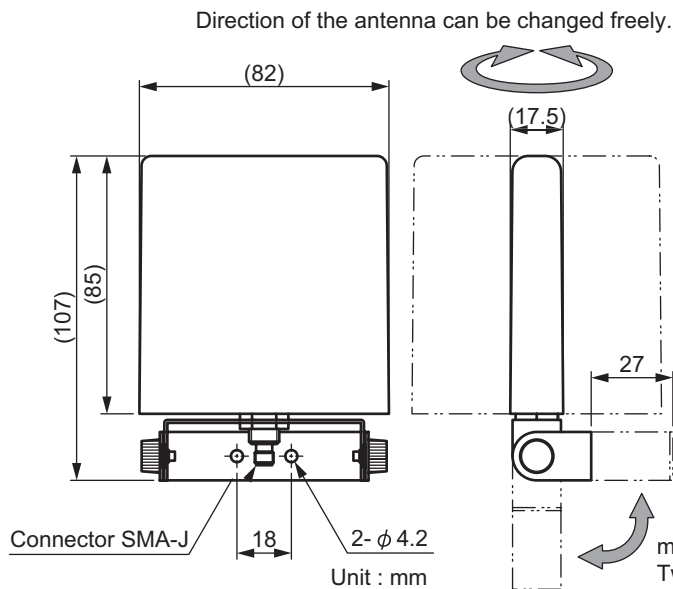




◆ 2.4GHz Flat Antenna ◆

Configuration, Dimension

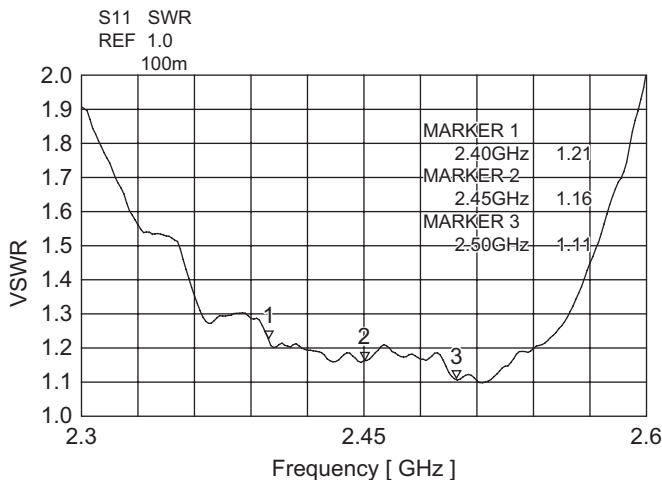


Specifications

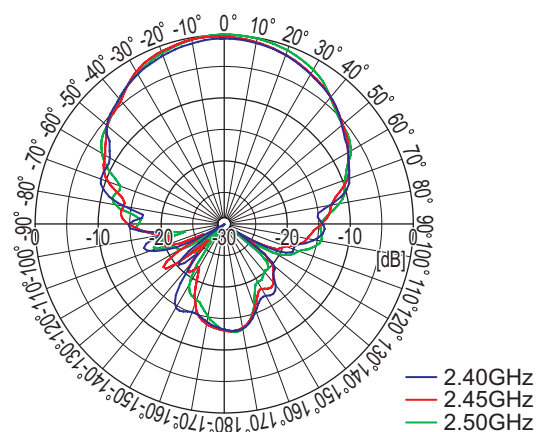
Style	Patch Antenna
Frequency Range	2.40 ~ 2.50 GHz
Polarization	Linear Polarization
V S W R	1.5 max. ($Z_0=50 \Omega$)
Directive Gain	8 dBi min. (Direction of Maximum Gain)

Typical Performance

VSWR



Direction Gain



⚠ Specifications of products are subject to change without notice.

e-2p4g-p01-07



株式会社 **MKT TAISEI** **MKT TAISEI Co.,Ltd.**

<< Head Office >> 5-16-2, Nishi-Ikebukuro, Toshima-ku, Tokyo, 171-0021, Japan.
PHONE : 81-3-3982-0029 FAX : 81-3-3986-1537 E-mail : info@mkt-taisei.com

<< Kansai Branch >> 3-18-9, Nishi-Nakajima, Yodogawa-ku, Osaka-City, 532-0011, Japan.
PHONE : 81-6-6390-7264 FAX : 81-6-6390-6945 E-mail : mkt-k@wonder.ocn.ne.jp

<http://www.mkt-taisei.co.jp/>