

TP050 series Recommended Pitch 0.90 mm

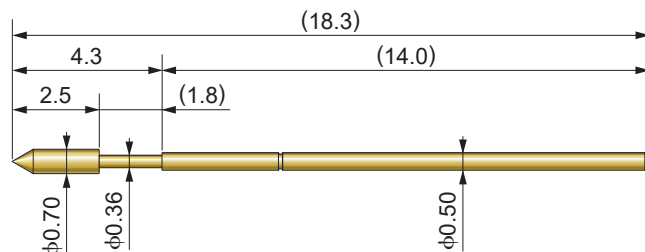


Probe Standard Items

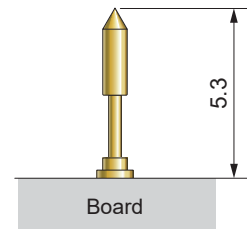
Unit:mm

TP050-NHC04-00

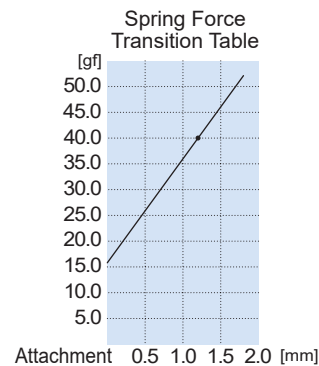
Needle Head 60°



Probe Protruding Quantity when Inserting into RT050



Stroke	1.8 mm	
Spring Force	15.8 gf	Preload
	40.0 gf	1.2 mm Recommended Stroke
Max. Current	1 A	
Parts Name	Material	Finish
Plunger	Steel	Au Plated
Barrel	Phosphor Bronze	Au Plated
Spring	Piano Wire	Au Plated



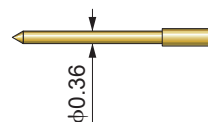
TP050-RHC04-00

Round Shaft Head



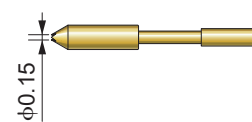
TP050-NBC04-00

Needle 60°



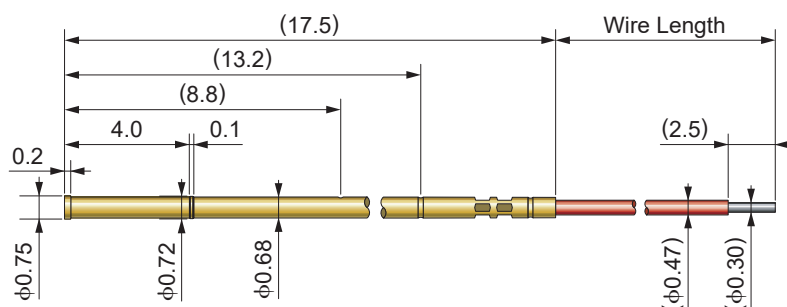
TP050-4WC04-00

Crown 4-Point Taper Head



Correspondence Receptacle Standard Items

Unit:mm



Wire Color	Product Name	Parts Name	Material	Finish
Red	RT050-BR00	Receptacle	Phosphor Bronze	Au Plated
White	RT050-BW00	Wire	Fluorine Resin	
Wireless	RT050-BA00			

● All specifications are subject to change without notice.

TAISEI Co.,Ltd. Head Office Sales Dept.

Address : 6972 Shimo-Yoshida, Chichibu-shi, Saitama-ken, 369-1593, JAPAN.

Phone : +81-494-77-1211 / FAX : +81-494-77-1415

Sales Office **MKT TAISEI Co.,Ltd.**

Address : 3-10-8, Nohagi 1st Bldg, Minami-Ikebukuro, Toshima-ku, Tokyo, 171-0022, Japan.

Phone : +81-3-3982-0029 / FAX : +81-3-3986-1537

Web Site : <http://www.mkt-taisei.co.jp/>

e-tp050-03