

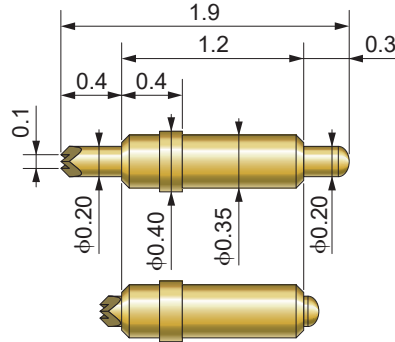
SP350 series

For IC Receptacle
Recommended Pitch 0.50 mm



SP350-4P / RB-00

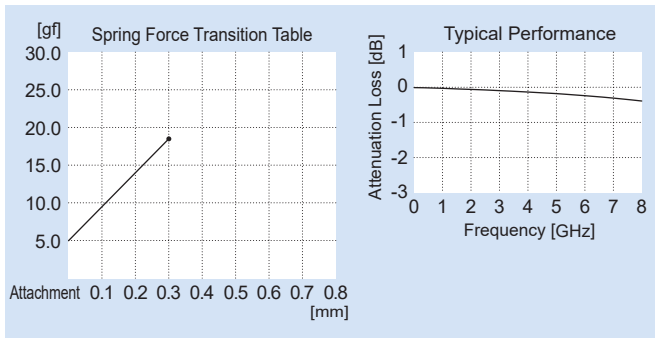
Tip Crown 4-Point + Lower end Round Shaft



Unit:mm

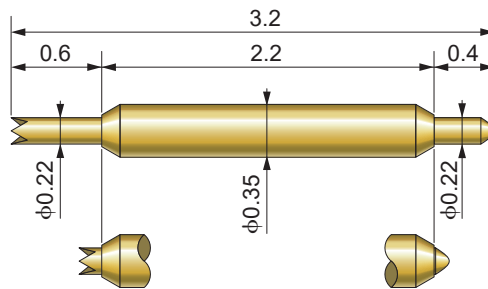
Full Length (mm)	1.90	Mechanical Durability (Times or more)	200k
Recommended Stroke	0.30	Max. Current (A)	1.0
Load (gf)	18.5 @0.30mm	Contact Resistance (mΩ)	<100
Full Stroke (mm)	0.40	Working Temp. (°C)	-40~125

Parts Name	Material	Finish	Application
Plunger	Beryllium Copper	Au Plated	DUT side Crown 4-Point
Plunger	Beryllium Copper	Au Plated	I.F. side Round Shaft Taper, Round Shaft
Barrel	NiAu	-	
Spring	Piano Wire	Au Plated	



SP350-4B / RT-00

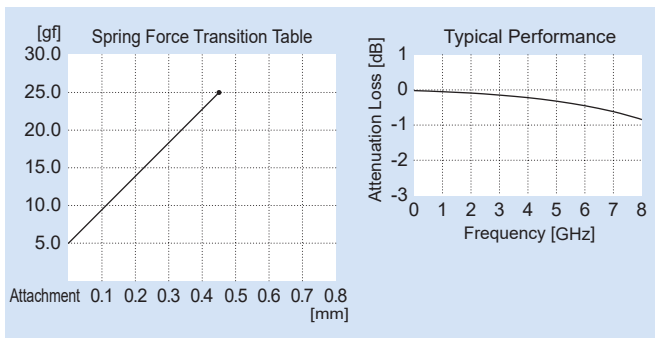
Tip Crown 4-Point + Lower end Straight Round Shaft



Unit:mm

Full Length (mm)	3.20	Mechanical Durability (Times or more)	300k
Recommended Stroke	0.45	Max. Current (A)	2.0
Load (gf)	25.0 @0.45mm	Contact Resistance (mΩ)	<100
Full Stroke (mm)	0.50	Working Temp. (°C)	-40~125

Parts Name	Material	Finish	Application
Plunger	Beryllium Copper	Au Plated	DUT side Crown 4-Point
Plunger	Beryllium Copper	Au Plated	I.F. side Round Shaft Taper, Round Shaft
Barrel	NiAu	-	
Spring	Piano Wire	Au Plated	



● All specifications are subject to change without notice.

TAISEI Co.,Ltd. Head Office Sales Dept.

Address : 6972 Shimo-Yoshida, Chichibu-shi, Saitama-ken, 369-1593, JAPAN.
Phone : +81-494-77-1211 / FAX : +81-494-77-1415

Sales Office **MKT TAISEI Co.,Ltd.**

Address : 3-10-8, Nohagi 1st Bldg, Minami-Ikebukuro, Toshima-ku, Tokyo, 171-0022, Japan.
Phone : +81-3-3982-0029 / FAX : +81-3-3986-1537
Web Site : <http://www.mkt-taisei.co.jp/>

e-sp350-01