

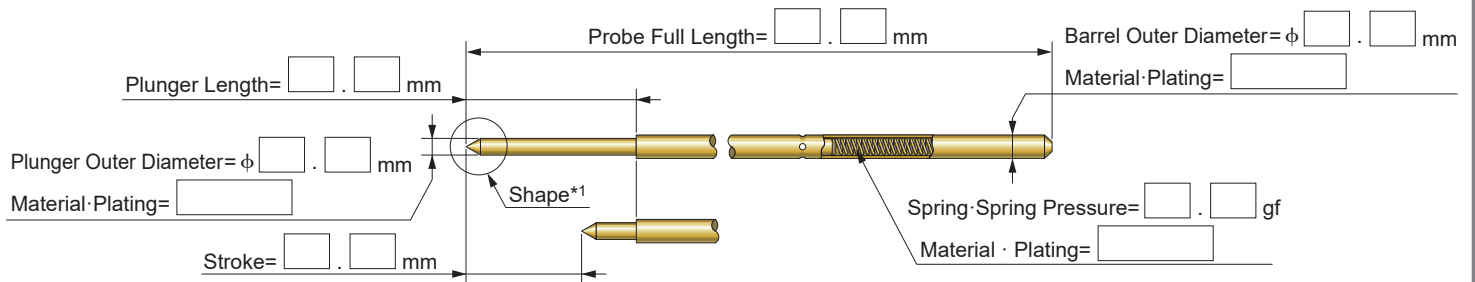
Custom Made

(Applicable Product Specification / Requested Matters Contact Form)



We will correspond to various custom products.
For each item, please tell us your request.
(Please specify and dimension value for corresponding part.)

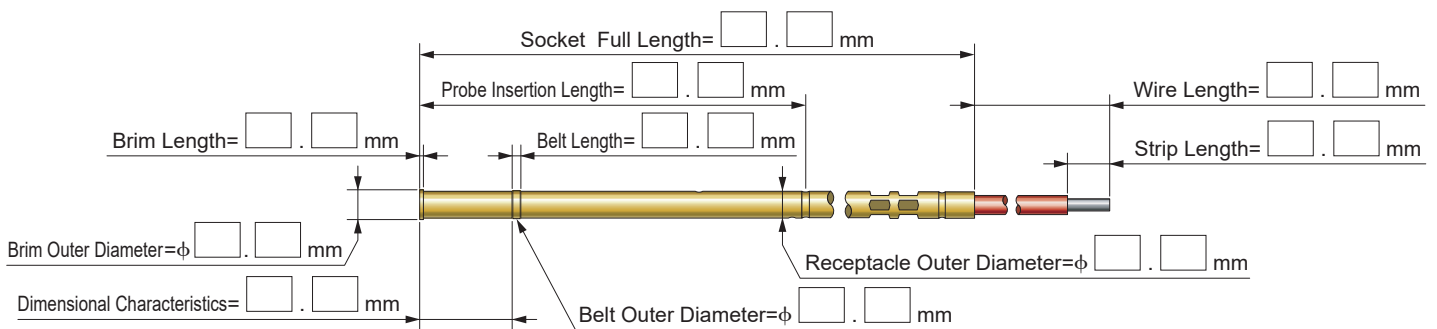
One Side Probe



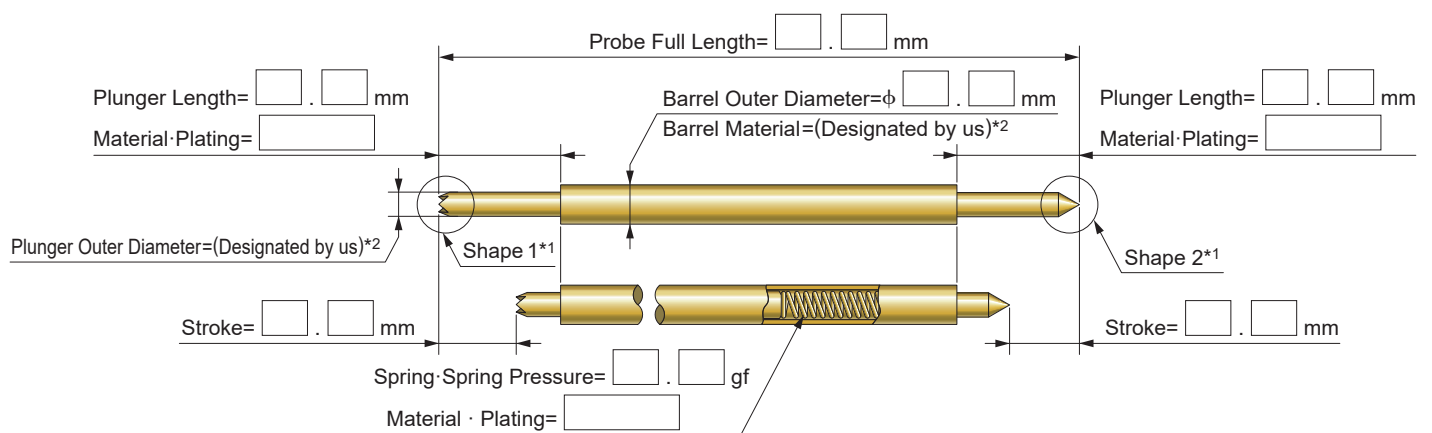
Plunger Shape= []

*1 The shape of the plunger, please see the tip shape list in the next page.

Correspondence Receptacle



Both Ends Probe



Plunger Shape 1= [] Plunger Shape 2= []

*1 For the shape of the plunger, please see the tip shape list in the next page.

*2 Please contact us for the locations designated by us.

TAISEI Co.,Ltd. Head Office Sales Dept.

Address : 6972 Shimo-Yoshida, Chichibu-shi, Saitama-ken,
369-1593, JAPAN.

Phone : +81-494-77-1211 / FAX : +81-494-77-1415

Sales Office **MKT TAISEI Co.,Ltd.**

Address : 3-10-8, Nohagi 1st Bldg, Minami-Ikebukuro, Toshima-ku, Tokyo, 171-0022, Japan.
Phone : +81-3-3982-0029 / FAX : +81-3-3986-1537

Web Site : <http://www.mkt-taisei.co.jp/>

e-custom_made-02