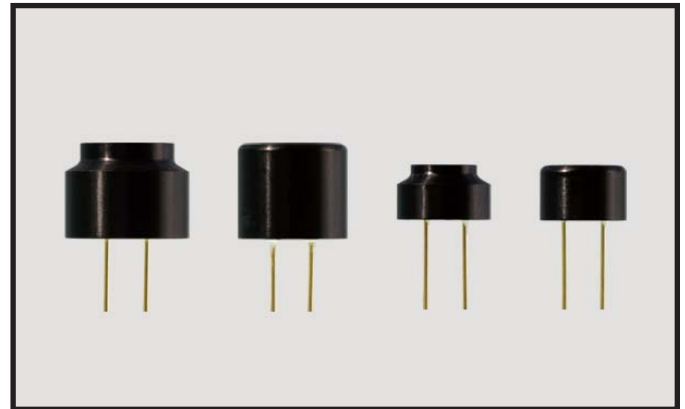




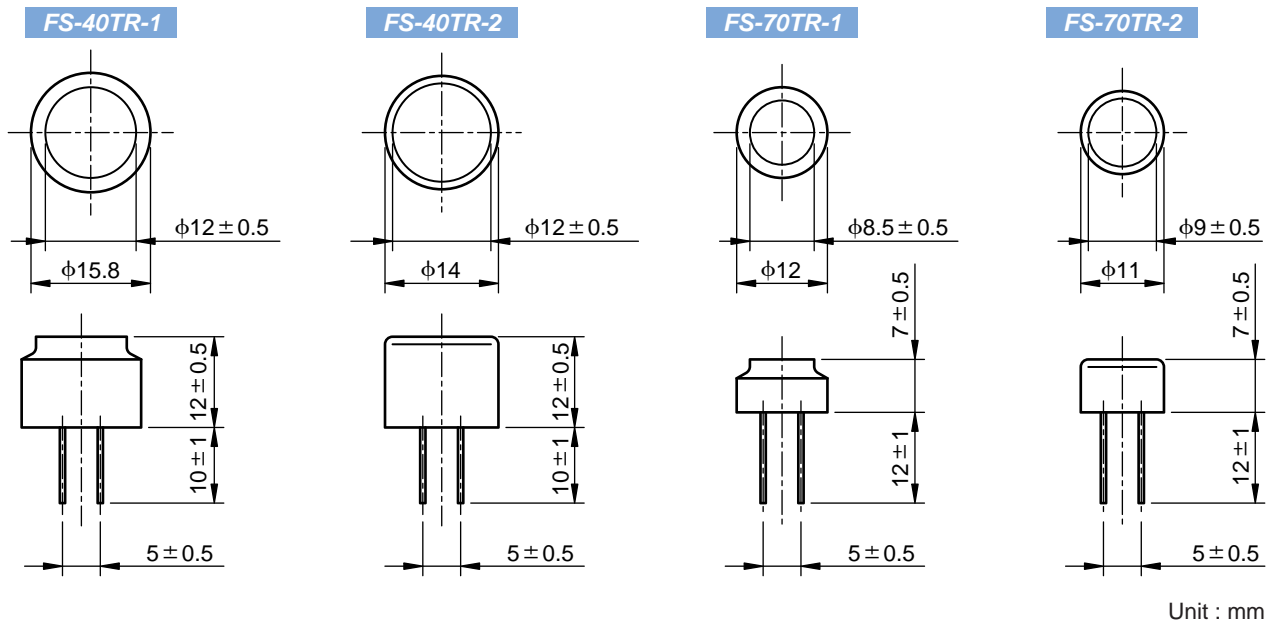
FS Ultrasonic Sensors

Code

FS-□□		TR-□	
Frequency		Directivity	
40 kHz	40	Narrow	1
70 kHz	70	Wide	2



Configuration , Dimensions



Specifications

Code	FS-40TR-1	FS-40TR-2	FS-70TR-1	FS-70TR-2
Using Method	T/R	T/R	T/R	T/R
Nominal Frequency [kHz]	40	40	70	70
Sensitivity [dB/V/μbar]	-60 min.	-60 min.	-80 min.	-80 min.
S.P.L (Sound Pressure Level) [dB]	100 min.	100 min.	90 min.	90 min.
Directivity [deg]	60	90	55	80
Detectable Range [m MAX.]	4	4	3	3
Max Input Voltage [V rms]	20	20	20	20
Using Temp. Range [°C]	-30 ~ +85	-30 ~ +85	-30 ~ +85	-30 ~ +85

⚠ Specifications of products are subject to change without notice.

e-fs_xxtr-p01-10



株式会社 **MKT TAISEI Co., Ltd.**

<< Head Office >> 3-10-8, Nohagi 1st Bldg, Minami-Ikebukuro, Toshima-ku, Tokyo, 171-0022, Japan.

PHONE : 81-3-3982-0029 FAX : 81-3-3986-1537 E-mail : info@mkt-taisei.com

<< Kansai Branch >> 3-18-9, Nishi-Nakajima, Yodogawa-ku, Osaka-City, 532-0011, Japan.

PHONE : 81-6-6390-7264 FAX : 81-6-6390-6945 E-mail : mkt-k@wonder.ocn.ne.jp

<http://www.mkt-taisei.co.jp/>