



TNC Coaxial Connectors


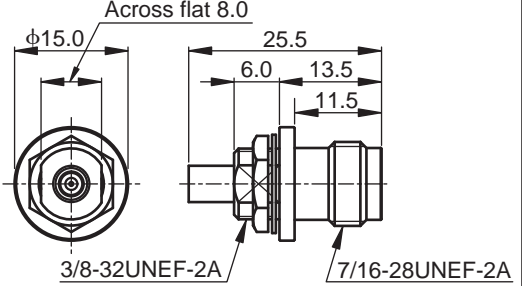

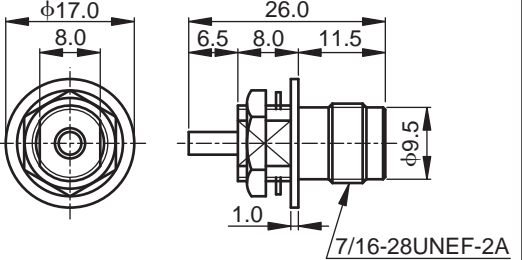
Materials/Finish

Part Name	Materials	Finish
Shell	Brass	Nickel Plated
Coupling Nut	Brass	Nickel Plated
Female Contact	Phosphor Bronze Beryllium Copper	Gold Plated
Male Contact	Brass	Gold Plated
Insulator	Teflon	-

Specifications

Series	TNC
Withstanding V.	AC 1500 V. One Minute
Insulation Resistance	DC 500 V. 1000 M V min.
Contact Resistance	3 m Ω max.
Frequency Range	DC ~ 4000 MHz
VSWR	1.2 max.
Impedance	50 Ω

Unit:mm

 <p>Cable ASSY</p>	<p>Style No. CON5700-BN</p> <p>TNC Bulkhead Jack 1.5D - 2V</p>	
 <p>Cable ASSY</p>	<p>Style No. CON5701-BN</p> <p>TNC Bulkhead Jack 0.8D</p>	

Cable ASSY Products with this mark are cable assemblies. Please specify the type and length of the cable at the time of order.

⚠ Specifications of products are subject to change without notice.

e-tnc-p01-08



株式会社 **MKT 三泰** **MKT TAISEI Co.,Ltd.**

<< Head Office >> 3-10-8, Nohagi 1st Bldg, Minami-Ikebukuro, Toshima-ku, Tokyo, 171-0022, Japan.

PHONE : 81-3-3982-0029 FAX : 81-3-3986-1537 E-mail : info@mkt-taisei.com

<< Kansai Branch >> 3-18-9, Nishi-Nakajima, Yodogawa-ku, Osaka-City, 532-0011, Japan.

PHONE : 81-6-6390-7264 FAX : 81-6-6390-6945 E-mail : mkt-k@wonder.ocn.ne.jp

<http://www.mkt-taisei.co.jp/>