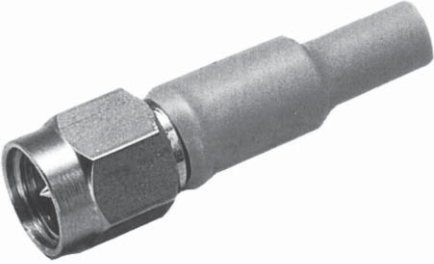
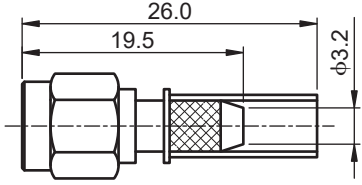

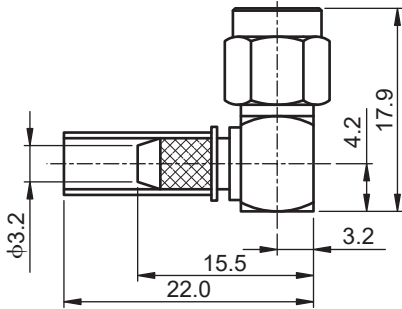
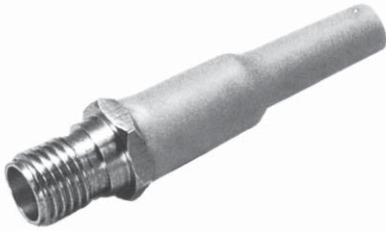
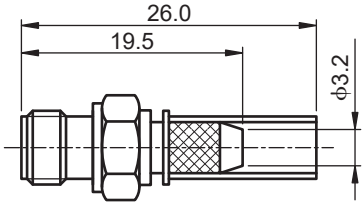
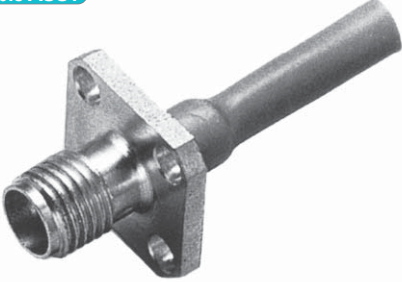
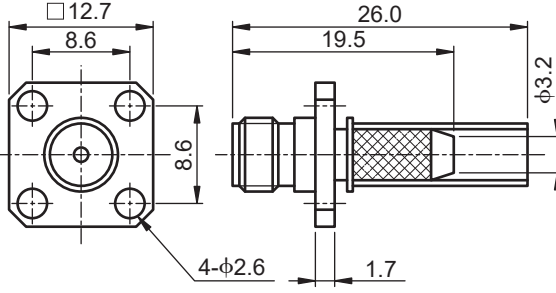





## Connectors for Flexible Cable

Unit:mm

<p><b>Cable ASSY</b></p> 	<p>Style No. <b>CON1601-BN</b></p> <p>3D-2V, Plug, DC ~ 12.4 GHz Coupling : SP</p>	
<p><b>Cable ASSY</b></p> 	<p>Style No. <b>CON1641-BN</b></p> <p>3D-2V, Right Angle Plug, DC ~ 8 GHz Coupling : SP</p>	
<p><b>Cable ASSY</b></p> 	<p>Style No. <b>CON1701-BN</b></p> <p>3D-2V, Jack, DC ~ 12.4 GHz</p>	
<p><b>Cable ASSY</b></p> 	<p>Style No. <b>CON1711-BN</b></p> <p>3D-2V, 4 Hole Flange Mount, Jack, DC ~ 12.4 GHz</p>	

**Cable ASSY** Products with this mark are cable assemblies. Please specify the type and length of the cable at the time of order.

 Specifications of products are subject to change without notice.

e-sma\_f-p14-08



株式会社 **MKT たいせい** **MKT TAISEI Co.,Ltd.**

<< Head Office >> 3-10-8, Nohagi 1st Bldg, Minami-Ikebukuro, Toshima-ku, Tokyo, 171-0022, Japan.

PHONE : 81-3-3982-0029 FAX : 81-3-3986-1537 E-mail : info@mkt-taisei.com

<< Kansai Branch >> 3-18-9, Nishi-Nakajima, Yodogawa-ku, Osaka-City, 532-0011, Japan.

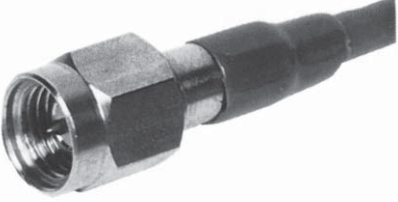
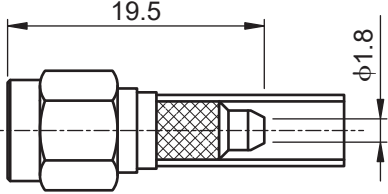
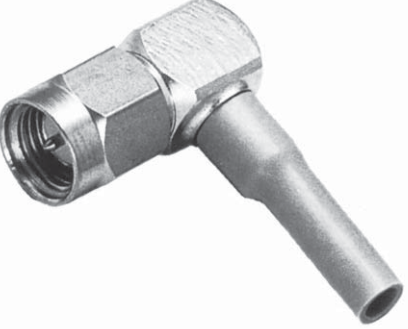
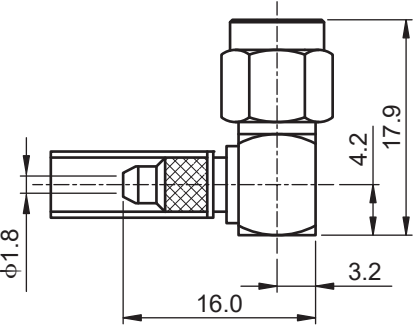

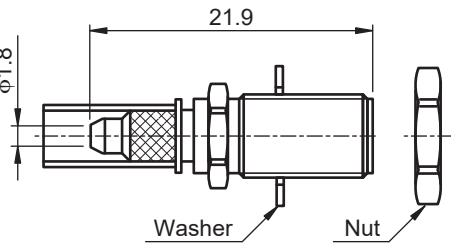
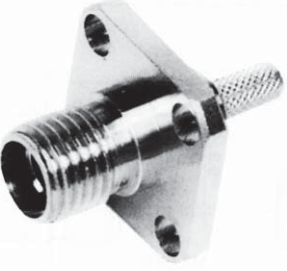
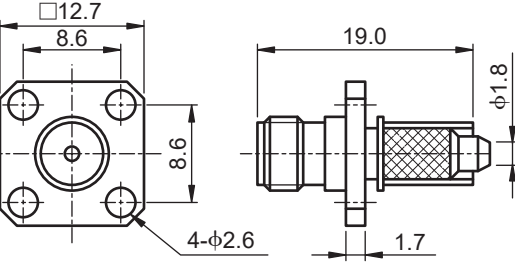
PHONE : 81-6-6390-7264 FAX : 81-6-6390-6945

<http://www.mkt-taisei.co.jp/>



## Connectors for Flexible Cable

Unit:mm

<p><b>Cable ASSY</b></p> 	<p>Style No. CON1604-BN</p> <p>1.5D-2V, Plug, DC ~ 8 GHz Coupling : SP</p> <hr/> <p>Style No. CON1606-BN</p> <p>1.5D-2W, Plug, DC ~ 8 GHz Coupling : SP</p>	 <p>19.5</p> <p><math>\phi 1.8</math></p>
<p><b>Cable ASSY</b></p> 	<p>Style No. CON1644-BN</p> <p>1.5D-2V, Right Angle Plug, DC ~ 8 GHz Coupling : SP</p> <hr/> <p>Style No. CON1645-BN</p> <p>1.5D-2W, Right Angle Plug, DC ~ 8 GHz Coupling : SP</p>	 <p>17.9</p> <p>4.2</p> <p>16.0</p> <p>3.2</p> <p><math>\phi 1.8</math></p>
<p><b>Cable ASSY</b></p> 	<p>Style No. CON1704-BN</p> <p>1.5D-2V, Jack, DC ~ 8 GHz</p> <hr/> <p>Style No. CON1706-BN</p> <p>1.5D-2W, Jack, DC ~ 8 GHz</p>	 <p>21.9</p> <p><math>\phi 1.8</math></p> <p>Washer</p> <p>Nut</p>
<p><b>Cable ASSY</b></p> 	<p>Style No. CON1714-BN</p> <p>1.5D-2V, 4 Hole Flange Mount, Jack, DC ~ 8 GHz</p> <hr/> <p>Style No. CON1715-BN</p> <p>1.5D-2W, 4 Hole Flange Mount, Jack, DC ~ 8 GHz</p>	 <p>12.7</p> <p>8.6</p> <p>8.6</p> <p>4-<math>\phi 2.6</math></p> <p>19.0</p> <p>1.7</p> <p><math>\phi 1.8</math></p>

**Cable ASSY** Products with this mark are cable assemblies. Please specify the type and length of the cable at the time of order. We comply with ultra short dia-cable for RG series. Please consult if required.

Specifications of products are subject to change without notice.

e-sma\_f-p15-07



株式会社 **MKT TAISEI** **MKT TAISEI Co.,Ltd.**

<< Head Office >> 3-10-8, Nohagi 1st Bldg, Minami-Ikebukuro, Toshima-ku, Tokyo, 171-0022, Japan.

PHONE : 81-3-3982-0029 FAX : 81-3-3986-1537 E-mail : info@mkt-taisei.com

<< Kansai Branch >> 3-18-9, Nishi-Nakajima, Yodogawa-ku, Osaka-City, 532-0011, Japan.

PHONE : 81-6-6390-7264 FAX : 81-6-6390-6945