
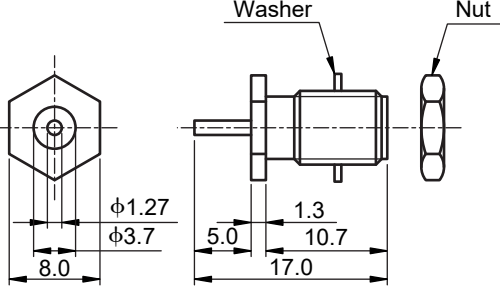
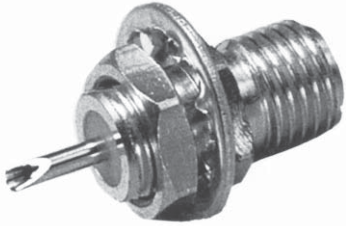
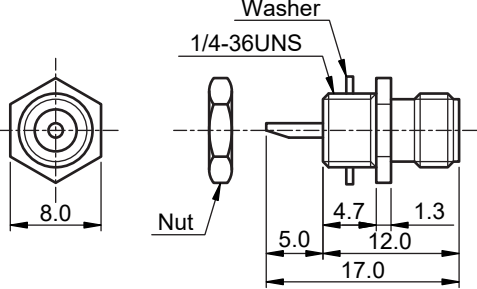
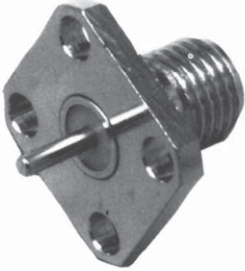
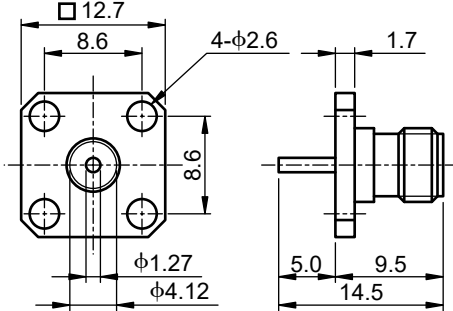
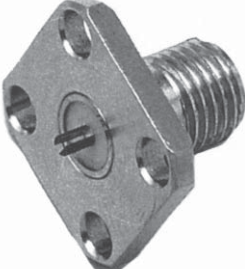
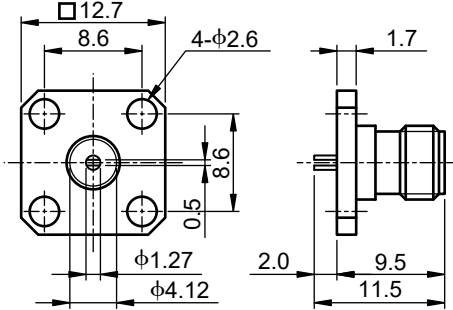





We provide various configurations and dimensions of SMA series besides the below described in this table and comply with specific custom needs. Please ask for it if any.

Receptacles

Unit:mm

	<p>Style No. CON1100-BN</p> <p>Bulkhead Feed Through, Straight Terminal, DC ~ 12.4 GHz</p>	
	<p>Style No. CON1102-BN</p> <p>Bulkhead Feed Through, Solder Pot Terminal, DC ~ 12.4 GHz</p>	
	<p>Style No. CON1110-SP</p> <p>4 Hole Flange Mount, Straight Terminal, DC ~ 18 GHz</p>	
	<p>Style No. CON1114-SP</p> <p>4 Hole Flange Mount, Slot Terminal, DC ~ 18 GHz</p>	

 Specifications of products are subject to change without notice.

e-sma_r-p02-05



株式会社 **MKT TAISEI** **MKT TAISEI Co.,Ltd.**

<< Head Office >> 3-10-8, Nohagi 1st Bldg, Minami-Ikebukuro, Toshima-ku, Tokyo, 171-0022, Japan.

PHONE : 81-3-3982-0029 FAX : 81-3-3986-1537 E-mail : info@mkt-taisei.com

<< Kansai Branch >> 3-18-9, Nishi-Nakajima, Yodogawa-ku, Osaka-City, 532-0011, Japan.

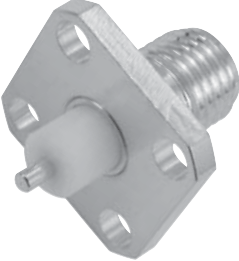
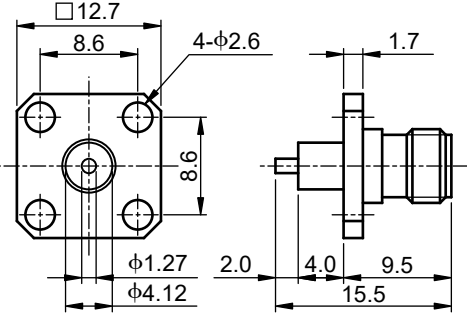
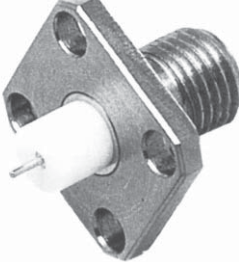
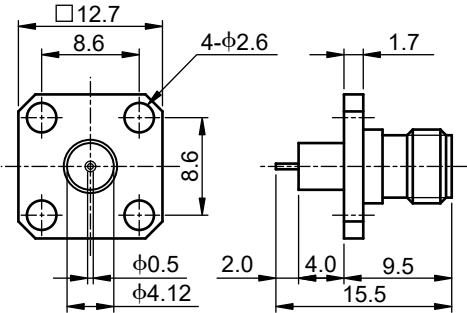
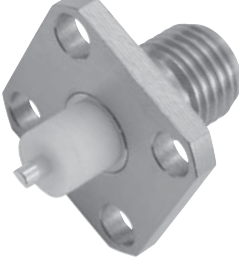
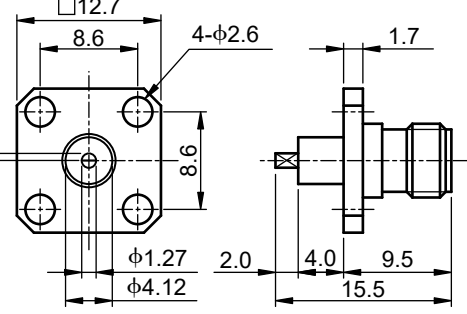
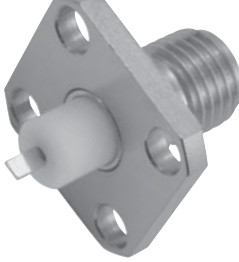
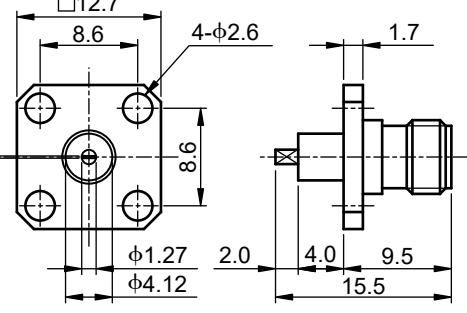
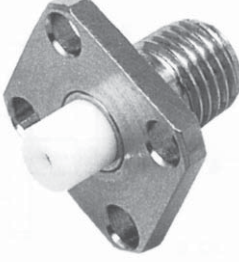
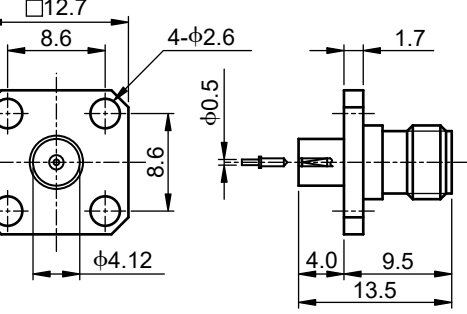
PHONE : 81-6-6390-7264 FAX : 81-6-6390-6945

<http://www.mkt-taisei.co.jp/>



Receptacles

Unit:mm

	<p>Style No. CON1120-SP</p> <p>4 Hole Flange Mount, Straight Terminal, DC ~ 18 GHz</p>	
	<p>Style No. CON1121-SP</p> <p>4 Hole Flange Mount, φ0.5 Stub Terminal, DC ~ 18 GHz</p>	
	<p>Style No. CON1123-SP</p> <p>4 Hole Flange Mount, Semi-round Terminal, DC ~ 18 GHz</p>	
	<p>Style No. CON1125-SP</p> <p>4 Hole Flange Mount, Tab Terminal, DC ~ 18 GHz</p>	
	<p>Style No. CON1126-SP</p> <p>4 Hole Flange Mount, Chip Type, DC ~ 18 GHz</p>	

⚠ Specifications of products are subject to change without notice.

e-sma_r-p03-09



株式会社 **MKT 太成** **MKT TAISEI Co., Ltd.**

<< Head Office >> 3-10-8, Nohagi 1st Bldg, Minami-Ikebukuro, Toshima-ku, Tokyo, 171-0022, Japan.

PHONE : 81-3-3982-0029 FAX : 81-3-3986-1537 E-mail : info@mkt-taisei.com

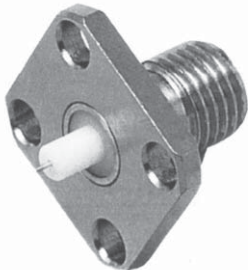
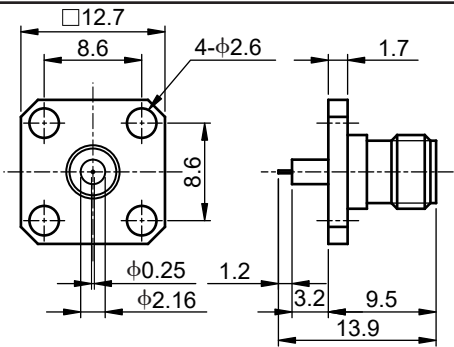
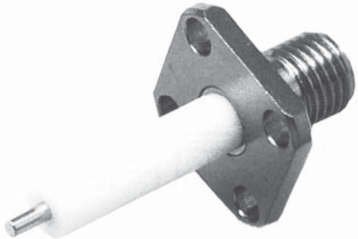
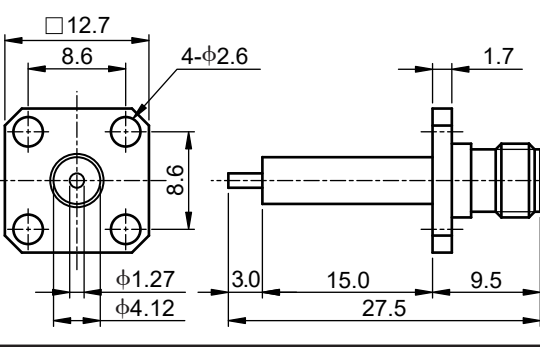
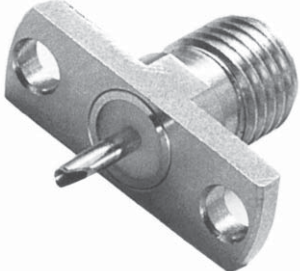
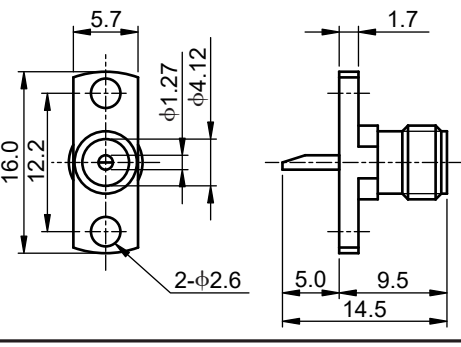
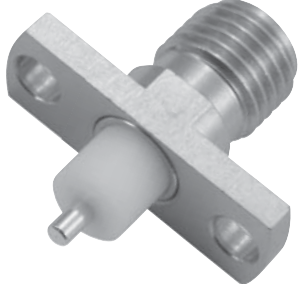
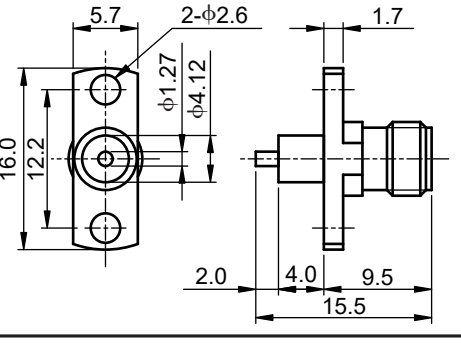
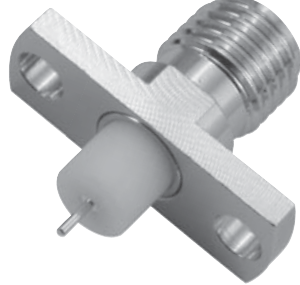
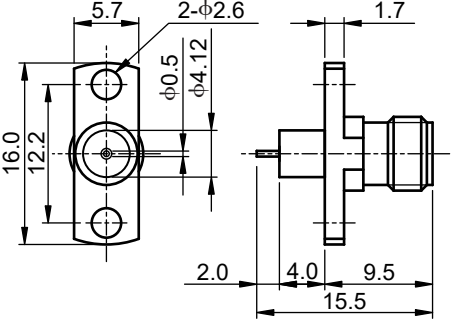
<< Kansai Branch >> 3-18-9, Nishi-Nakajima, Yodogawa-ku, Osaka-City, 532-0011, Japan.

PHONE : 81-6-6390-7264 FAX : 81-6-6390-6945



Receptacles

Unit:mm

	<p>Style No. CON1129-SP</p> <p>4 Hole Flange Mount, φ0.25 Stub Terminal, DC ~ 12.4 GHz</p>	
	<p>Style No. CON1130-SP</p> <p>4 Hole Flange Mount, Straight Terminal, DC ~ 18 GHz</p>	
	<p>Style No. CON1162-SP</p> <p>2 Hole Flange Mount, Solder Pot Terminal, DC ~ 18 GHz</p>	
	<p>Style No. CON1170-SP</p> <p>2 Hole Flange Mount, Straight Terminal, DC ~ 18 GHz</p>	
	<p>Style No. CON1171-SP</p> <p>2 Hole Flange Mount, Straight Terminal, DC ~ 18 GHz</p>	

⚠ Specifications of products are subject to change without notice.

e-sma_r-p04-08



株式会社 **MKT 太成** **MKT TAISEI Co.,Ltd.**

<< Head Office >> 3-10-8, Nohagi 1st Bldg, Minami-Ikebukuro, Toshima-ku, Tokyo, 171-0022, Japan.

PHONE : 81-3-3982-0029 FAX : 81-3-3986-1537 E-mail : info@mkt-taisei.com

<< Kansai Branch >> 3-18-9, Nishi-Nakajima, Yodogawa-ku, Osaka-City, 532-0011, Japan.

PHONE : 81-6-6390-7264 FAX : 81-6-6390-6945



Receptacles

Unit:mm

	<p>Style No. CON1173-SP</p> <p>2 Hole Flange Mount, Semi-round Terminal, DC ~ 18 GHz</p>	
	<p>Style No. CON1175-SP</p> <p>2 Hole Flange Mount, Tab Terminal, DC ~ 18 GHz</p>	
	<p>Style No. CON1181-SP</p> <p>2 Hole Flange Mount, φ0.5 Stub Terminal, DC ~ 18 GHz</p>	
	<p>Style No. CON1140-BN</p> <p>4 Hole Flange Mount, Straight Terminal, Right Angle Receptacle, DC ~ 8 GHz</p>	
	<p>Style No. CON11B3-BN</p> <p>4 Hole Flange Mount, Semi-round Terminal, Right Angle Receptacle, DC ~ 8 GHz</p>	

⚠ Specifications of products are subject to change without notice.

e-sma_r-p05-09



株式会社 **MKT TAISEI** **MKT TAISEI Co.,Ltd.**

<< Head Office >> 3-10-8, Nohagi 1st Bldg, Minami-Ikebukuro, Toshima-ku, Tokyo, 171-0022, Japan.

PHONE : 81-3-3982-0029 FAX : 81-3-3986-1537 E-mail : info@mkt-taisei.com

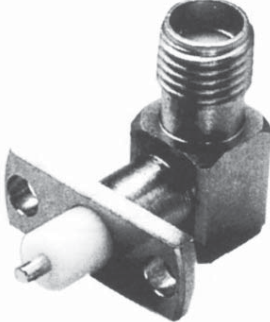
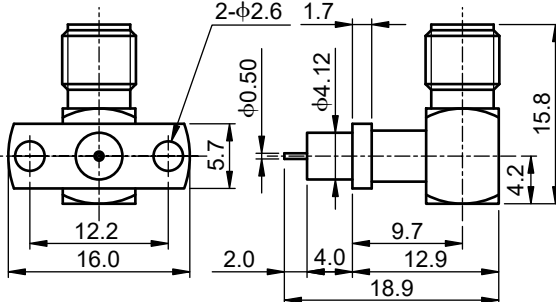
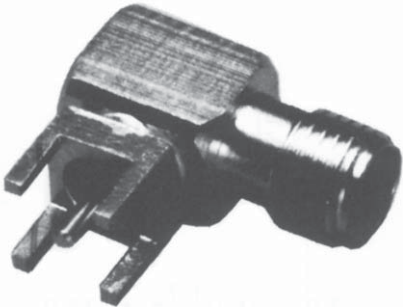
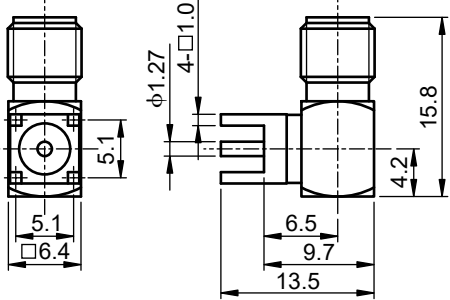

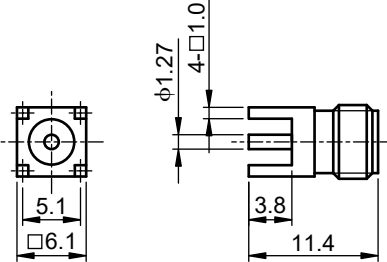
<< Kansai Branch >> 3-18-9, Nishi-Nakajima, Yodogawa-ku, Osaka-City, 532-0011, Japan.


PHONE : 81-6-6390-7264 FAX : 81-6-6390-6945



Receptacles

Unit:mm

	<p>Style No. CON11C1-BN</p> <p>2 Hole Flange Mount, φ 0.5 Stub Terminal, Right Angle Receptacle, DC ~ 8 GHz</p>	
	<p>Style No. CON1150-BG</p> <p>Designed for Printed Circuit Boards, Right Angle Receptacle, DC ~ 8 GHz</p>	
	<p>Style No. CON11A0-BG</p> <p>Designed for Printed Circuit Boards, Straight Receptacle, DC ~ 8 GHz</p>	

 Specifications of products are subject to change without notice.

e-sma_r-p06-06



株式会社 **MKT たいせい** **MKT TAISEI Co.,Ltd.**

<< Head Office >> 3-10-8, Nohagi 1st Bldg, Minami-Ikebukuro, Toshima-ku, Tokyo, 171-0022, Japan.

PHONE : 81-3-3982-0029 FAX : 81-3-3986-1537 E-mail : info@mkt-taisei.com

<< Kansai Branch >> 3-18-9, Nishi-Nakajima, Yodogawa-ku, Osaka-City, 532-0011, Japan.

PHONE : 81-6-6390-7264 FAX : 81-6-6390-6945

<http://www.mkt-taisei.co.jp/>