



SMA SMA Coaxial Connectors

Materials/Finish

Part Name	Materials	Finish	
		Plated	Note
Shell	Stainless Steel	Passivated	
		Gold Plated	
	Brass	Nickel Plated	
		Gold Plated	
Coupling	Stainless Steel	Passivated	Standard
		Gold Plated	
Female Contact	Beryllium Copper	Gold Plated	
Male Contact	Brass	Gold Plated	
Insulator	Teflon		
Crimp Ferrule	Brass	Nickel Plated	
Holding Ferrule	Beryllium Copper	Nickel Plated	
Gaskets	Silicone		

Specifications

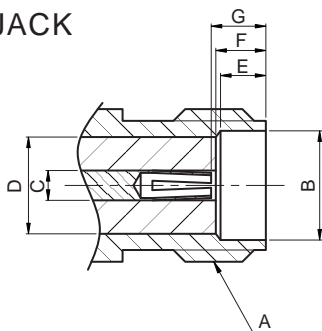
Series	SMA		
Withstanding V.	AC 1000 V. One Minute		
Insulation Resistance	DC 500 V. 5000 M Ω min.		
Contact Resistance	4 m Ω max.		
Frequency Range	DC ~ 8000 MHz	DC ~ 12400 MHz	DC ~ 18000 MHz
V S W R	1.2 max.		
Impedance	50 Ω		

- * Stainless passivated finish (SP) is standard for coupling SMA connectors.
- * High frequency characteristics in the catalogue is a typical figure not a guaranteed figure.

Dimensions

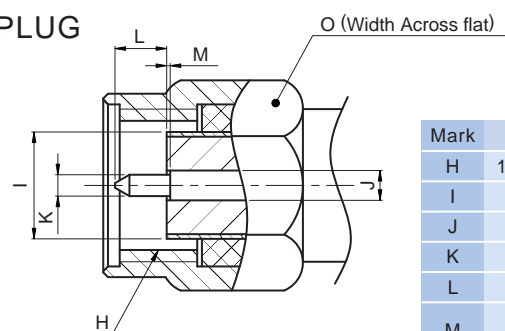
Unit : mm

JACK



Mark	Dimensions
A	1/4 - 36UNS - 2A
B	$\phi 4.65^{+0.02}_{-0.05}$
C	$\phi 1.27 \pm 0.02$
D	$\phi 4.12$
E	1.93 ± 0.03
F	1.93 ± 0.10
G	$1.96^{+0.38}_{-0}$

PLUG



Mark	Dimensions
H	1/4 - 36UNS - 2B
I	$\phi 4.55 \pm 0.03$
J	$\phi 1.27 \pm 0.02$
K	$\phi 0.91 \pm 0.01$
L	2.2
M	$0^{+0.25}_{-0}$
O	8

Specifications of products are subject to change without notice.

e-sma_top-p01-08



株式会社 **MKT TAISEI Co., Ltd.**

<< Head Office >> 3-10-8, Nohagi 1st Bldg, Minami-Ikebukuro, Toshima-ku, Tokyo, 171-0022, Japan.

PHONE : 81-3-3982-0029 FAX : 81-3-3986-1537 E-mail : info@mkt-taisei.com

<< Kansai Branch >> 3-18-9, Nishi-Nakajima, Yodogawa-ku, Osaka-City, 532-0011, Japan.

PHONE : 81-6-6390-7264 FAX : 81-6-6390-6945 E-mail : mkt-k@wonder.ocn.ne.jp

<http://www.mkt-taisei.co.jp/>