



ATT Coaxial Attenuators

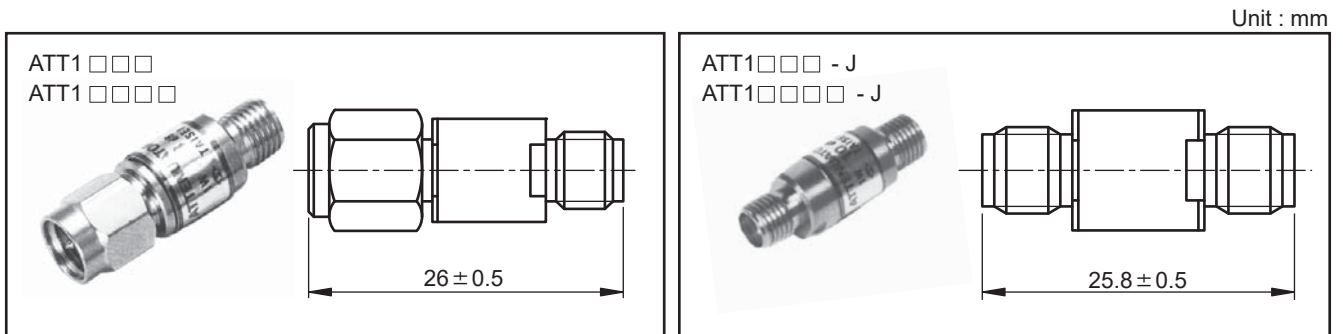
- SMA -


Specifications

* P - J Standard

Style No.	Attenuation [dB]		VSWR(max.)			Rated Power [W]	Connectors
	DC ~ 12400 MHz	12400 ~ 18000 MHz	DC ~ 4000 MHz	4000 ~ 12400 MHz	12400 ~ 18000 MHz		
ATT1000	0 ^{+0.5} ₋₀	0 ^{+1.0} ₋₀	1.15	1.2	1.3	1	SMA-P•J
ATT1001	1 ± 0.5	1 ± 1.0					
ATT1002	2 ± 0.5	2 ± 1.0					
ATT1003	3 ± 0.5	3 ± 1.0					
ATT1004	4 ± 0.5	4 ± 1.0					
ATT1005	5 ± 0.7	5 ± 1.2					
ATT1006	6 ± 0.7	6 ± 1.2					
ATT1007	7 ± 0.7	7 ± 1.2					
ATT1008	8 ± 0.7	8 ± 1.2					
ATT1009	9 ± 1.0	9 ± 1.25					
ATT1010	10 ± 1.0	10 ± 1.25					
ATT1012	12 ± 1.0	12 ± 1.25					
ATT1013	13 ± 1.0	13 ± 1.25					
ATT1014	14 ± 1.2	14 ± 1.3					
ATT1015	15 ± 1.2	15 ± 1.3					
ATT1020	20 ± 1.2	20 ± 1.3					
ATT10005	0.5 ± 0.5	0.5(+1.0/-0.5)	1.25	1.35			
ATT10015	1.5 ± 0.5	1.5 ± 1.0					
ATT1030	DC ~ 8000 MHz 30 ± 1.2		DC ~ 4000 MHz 1.15	4000 ~ 8000 MHz 1.2		1	SMA-P•J

Comply with marking a pair of jack (J-J). Please indicate "-J" (Ex. ATT1003-J) if required.



 Specifications of products are subject to change without notice.

e-att-p01-11



<http://www.mkt-taisei.co.jp/>

株式会社 **MKT 太セイ** **MKT TAISEI Co.,Ltd.**

<< Head Office >> 3-10-8, Nohagi 1st Bldg, Minami-Ikebukuro, Toshima-ku, Tokyo, 171-0022, Japan.

PHONE : 81-3-3982-0029 FAX : 81-3-3986-1537 E-mail : info@mkt-taisei.com

<< Kansai Branch >> 3-18-9, Nishi-Nakajima, Yodogawa-ku, Osaka-City, 532-0011, Japan.

PHONE : 81-6-6390-7264 FAX : 81-6-6390-6945



ATT Coaxial Attenuators

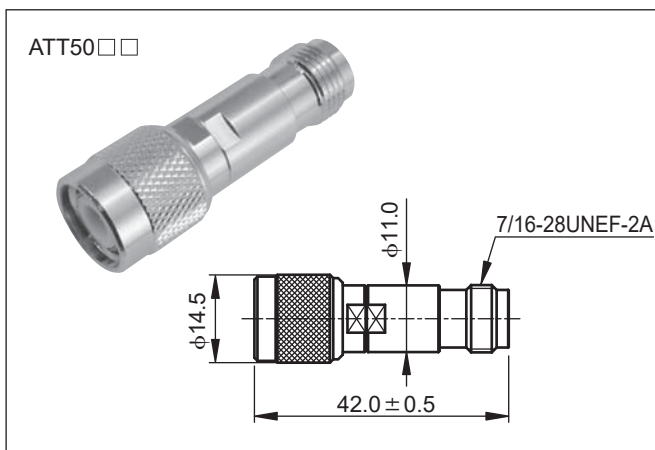
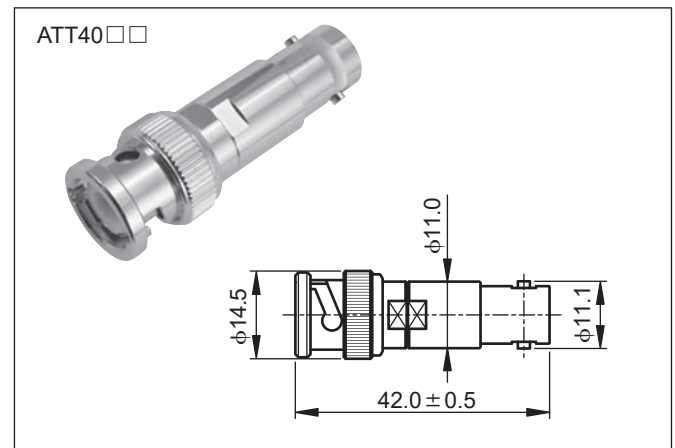
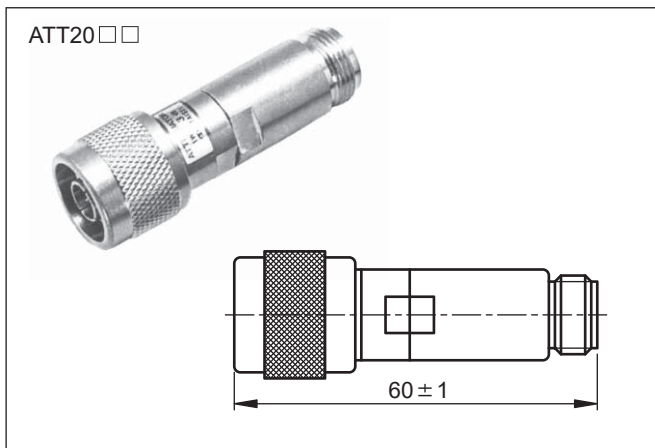
- N · BNC · TNC -


Specifications

* P - J Standard

Style No.	Attenuation [dB]		VSWR (max.)		Rated Power [W]	Connectors
	DC ~ 2000 MHz	2000 ~ 4000 MHz	DC ~ 2000 MHz	2000 ~ 4000 MHz		
ATT2003	3 ± 0.3	3 ± 0.5	1.15	1.2	2	N-P·J
ATT2006	6 ± 0.3	6 ± 0.8				
ATT2010	10 ± 0.5	10 ± 1.0				
ATT2020	20 ± 0.5	20 ± 1.2				
ATT4003	3 ± 0.3	3 ± 0.5	1.20	1.3	2	BNC-P·J
ATT4006	6 ± 0.3	6 ± 0.8				
ATT4010	10 ± 0.5	10 ± 1.0				
ATT4020	20 ± 0.5	20 ± 1.2				
ATT5003	3 ± 0.3	3 ± 0.5	1.20	1.3	2	TNC-P·J
ATT5006	6 ± 0.3	6 ± 0.8				
ATT5010	10 ± 0.5	10 ± 1.0				
ATT5020	20 ± 0.5	20 ± 1.2				

Unit : mm



 Specifications of products are subject to change without notice.

e-att-p02-04



株式会社 **MKT TAISEI** **MKT TAISEI Co.,Ltd.**

<< Head Office >> 3-10-8, Nohagi 1st Bldg, Minami-Ikebukuro, Toshima-ku, Tokyo, 171-0022, Japan.

PHONE : 81-3-3982-0029 FAX : 81-3-3986-1537 E-mail : info@mkt-taisei.com

<< Kansai Branch >> 3-18-9, Nishi-Nakajima, Yodogawa-ku, Osaka-City, 532-0011, Japan.

PHONE : 81-6-6390-7264 FAX : 81-6-6390-6945