



◆ DUM ◆ Coaxial Terminations


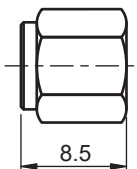

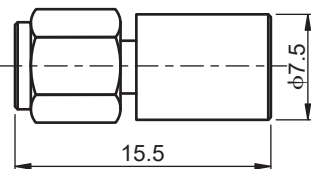


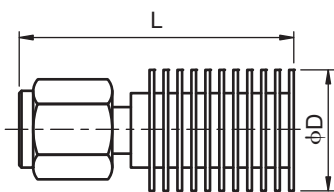
-SMA-

Specifications

| Style No. | Frequency Range [MHz] | VSWR | | | | Power Termination [W] | Impedance [Ω] |
|-----------|-------------------------|---------------|-----------------|------------------|-------------------|-------------------------|-----------------|
| | | DC ~ 4000 MHz | 4000 ~ 8000 MHz | 8000 ~ 12400 MHz | 12400 ~ 18000 MHz | | |
| DUM1050 | DC ~ 12400 | 1.10 | 1.15 | 1.20 | – | 1 / 2 | 50 |
| DUM1100 | DC ~ 12400 | 1.10 | 1.15 | 1.20 | – | 1 | |
| DUM1200 | DC ~ 12400 | 1.10 | 1.15 | 1.20 | – | 2 | |
| DUM1030 | DC ~ 18000 | 1.08 | 1.10 | 1.15 | 1.20 | 1 / 4 | |

No-Mark : plug,

Unit:mm

| <p>DUM 1030</p>   <p>8.5</p> | <p>DUM 1050</p>   <p>15.5</p> <p>φ7.5</p> | | | | | | | | | |
|---------------------------------------------------------------------------------------------------------------------------------------------------------------------------------------------------|---------------------------------------------------------------------------------------------------------------------------------------------------------------------------------------------------------------------------------------------------------------------------------------------------------------------------------------------------------------------------------------------------------------------------------------------------------------|------------------|---------|---------|---|------|------|----|------|------|
| <p>DUM 1100</p>  | <p>DUM 1200</p>   <table border="1" style="margin-top: 10px;"> <thead> <tr> <th>Dimension [mm]</th> <th>DUM1100</th> <th>DUM1200</th> </tr> </thead> <tbody> <tr> <td>L</td> <td>17.0</td> <td>30.5</td> </tr> <tr> <td>φD</td> <td>10.0</td> <td>15.0</td> </tr> </tbody> </table> | Dimension [mm] | DUM1100 | DUM1200 | L | 17.0 | 30.5 | φD | 10.0 | 15.0 |
| Dimension [mm] | DUM1100 | DUM1200 | | | | | | | | |
| L | 17.0 | 30.5 | | | | | | | | |
| φD | 10.0 | 15.0 | | | | | | | | |

Specifications of products are subject to change without notice.

e-dum-p01-09



株式会社 **MKT 太セイ** **MKT TAISEI Co.,Ltd.**

<< Head Office >> 3-10-8, Nohagi 1st Bldg, Minami-Ikebukuro, Toshima-ku, Tokyo, 171-0022, Japan.

PHONE : 81-3-3982-0029 FAX : 81-3-3986-1537 E-mail : info@mkt-taisei.com

<< Kansai Branch >> 3-18-9, Nishi-Nakajima, Yodogawa-ku, Osaka-City, 532-0011, Japan.

PHONE : 81-6-6390-7264 FAX : 81-6-6390-6945

<http://www.mkt-taisei.co.jp/>



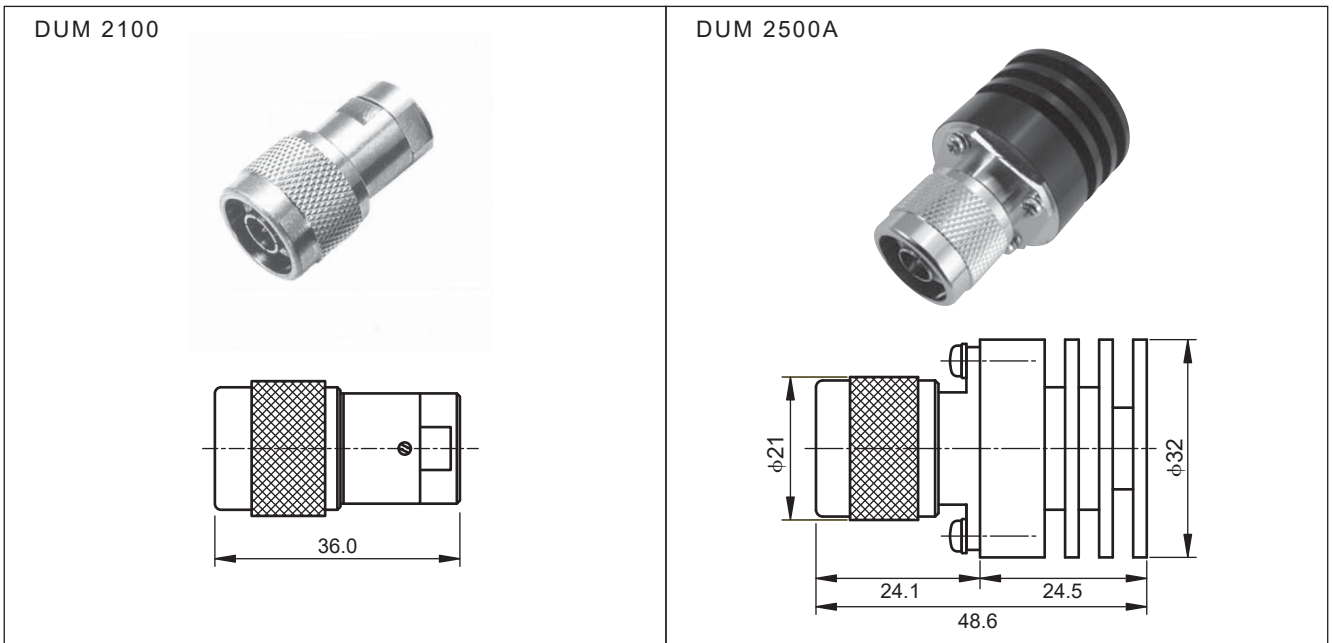
◆ DUM ◆ Coaxial Terminations

-N-

Specifications

| Style No. | Power Termination | Frequency Range | VSWR | Impedance | Connectors |
|-----------|-------------------|-----------------|----------|-----------|------------|
| DUM2100 | 2 W | DC ~ 8000 MHz | 1.2 max. | 50 Ω | N - P |
| DUM2500A | 5 W | 1.2 max. | 50 Ω | N - P | |

Unit:mm



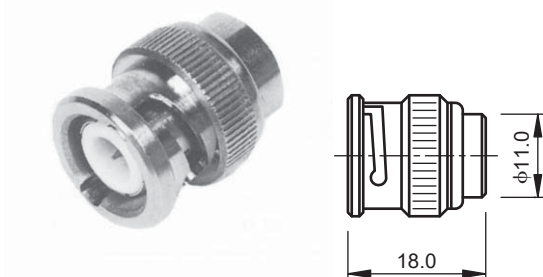
- BNC · TNC -

Specifications

| Style No. | Power Termination | Frequency Range | VSWR | Impedance | Connectors |
|-----------|-------------------|-----------------|----------|-----------|------------|
| DUM4102 | 1 W | DC ~ 2000 MHz | 1.2 max. | 50 Ω | BNC - P |

DUM 4102

Unit:mm



Specifications of products are subject to change without notice.

e-dum-p02-09



株式会社 **MKT たいせい** **MKT TAISEI Co.,Ltd.**

<< Head Office >> 3-10-8, Nohagi 1st Bldg, Minami-Ikebukuro, Toshima-ku, Tokyo, 171-0022, Japan.

PHONE : 81-3-3982-0029 FAX : 81-3-3986-1537 E-mail : info@mkt-taisei.com

<< Kansai Branch >> 3-18-9, Nishi-Nakajima, Yodogawa-ku, Osaka-City, 532-0011, Japan.

PHONE : 81-6-6390-7264 FAX : 81-6-6390-6945