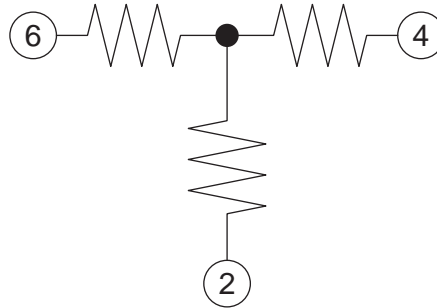
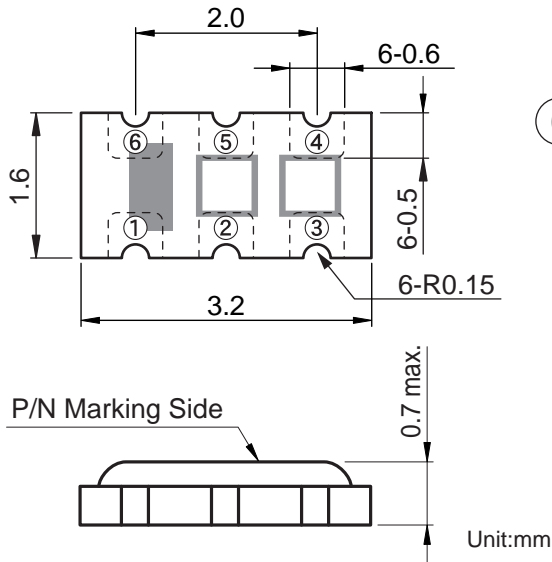
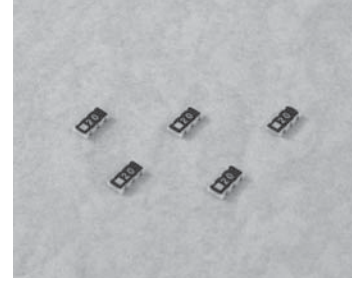




Chip Attenuators

Dimensions and Schematics



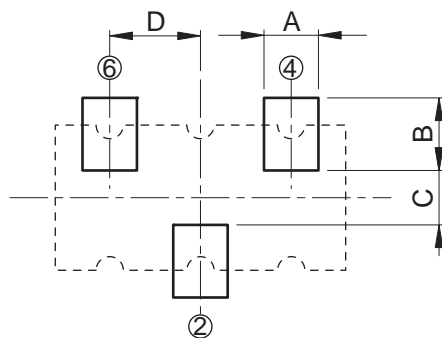
- ①, ③, ⑤ : N. C
- ② : GND
- ④, ⑥ : Input / Output

Rating

| Style No. | Frequency Range [MHz] | Attenuation [dB] | Rated Power [W] | VSWR | Impedance [Ω] | Working Temp. Range [$^{\circ}$ C] |
|--------------|-----------------------|------------------|-----------------|-----------|------------------------|-------------------------------------|
| CAT3131-0020 | DC~1000 | 20 \pm 1.3 | 1 / 10 | 1.25 max. | 50 | -55 ~ +125 $^{\circ}$ C |
| CAT3131-0003 | DC~3000 | 3 \pm 0.5 | | | | |
| CAT3131-0006 | DC~3000 | 6 \pm 0.5 | | | | |
| CAT3131-0010 | DC~3000 | 10 \pm 0.7 | | | | |


- For other attenuations, if required. Please contact us for possibility.
- Test Fixture : Teflon 0.4 mm

Recommendable Footprint



Unit : mm

| | |
|---|---------------|
| A | 0.6 \pm 0.1 |
| B | 0.8 \pm 0.1 |
| C | 0.6 \pm 0.1 |
| D | 1.0 \pm 0.1 |

 Specifications of products are subject to change without notice.

e-cat-p01-08



株式会社 **MKT TAISEI** **MKT TAISEI Co.,Ltd.**

<< Head Office >> 3-10-8, Nohagi 1st Bldg, Minami-Ikebukuro, Toshima-ku, Tokyo, 171-0022, Japan.

PHONE : 81-3-3982-0029 FAX : 81-3-3986-1537 E-mail : info@mkt-taisei.com

<< Kansai Branch >> 3-18-9, Nishi-Nakajima, Yodogawa-ku, Osaka-City, 532-0011, Japan.

PHONE : 81-6-6390-7264 FAX : 81-6-6390-6945 E-mail : mkt-k@wonder.ocn.ne.jp