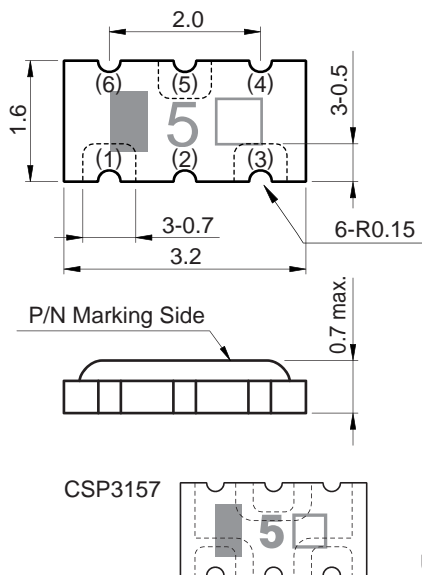


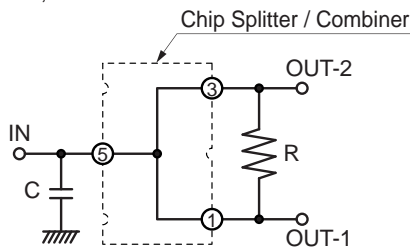


Chip Splitters / Combiners

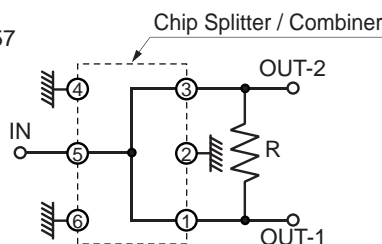
Dimensions and Schematics



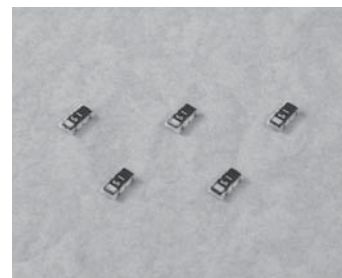
CSP3151, CSP3152, CSP3153,
CSP3154, CSP3155



CSP3157



Unit : mm



- (1) Output Port-1
- (2) NC
- (3) Output Port-2
- (4) NC
- (5) Input Port
- (6) NC

- (1) Output Port-1
- (2) GND
- (3) Output Port-2
- (4) GND
- (5) Input Port
- (6) GND

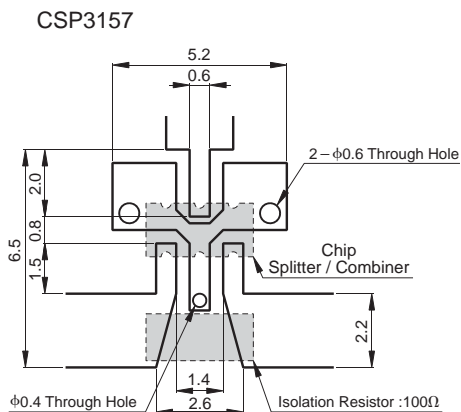
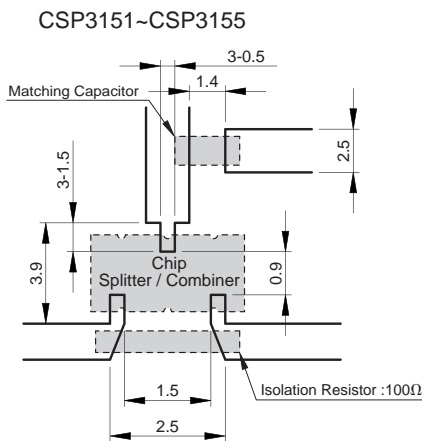
C : Matching Capacitor
R : Isolation Resistor

Specifications

Style No.	Frequency Range [MHz]	*Insertion Loss [dB]	Nominal Impedance [Ω]	Power Balance [dB]	Isolation [dB]	VSWR Input [dB]	VSWR Output [dB]	Max. Input Power [W]	Matching Capacitor	Note
CSP3151-0900-G	800~1000	4.0 max.	50	0.2 max.	15.0 min.	1.6 max.	1.3 max.	1.0 max.	3.00 pF	
CSP3152-1500-G	1400~1600	4.0 max.	50	0.2 max.	15.0 min.	1.5 max.	1.3 max.	1.0 max.	1.50 pF	
CSP3153-1700-G	1600~1800	4.0 max.	50	0.2 max.	13.0 min.	1.5 max.	1.3 max.	1.0 max.	1.25 pF	
CSP3154-1900-G	1800~2000	4.0 max.	50	0.2 max.	11.0 min.	1.6 max.	1.3 max.	1.0 max.	1.00 pF	
CSP3155-2100-G	2000~2200	4.2 max.	50	0.2 max.	13.0 min.	1.8 max.	2.0 max.	1.0 max.	1.00 pF	Correspondence W-CDMA
CSP3155-2400-G	2300~2500	4.2 max.	50	0.2 max.	13.0 min.	1.8 max.	2.0 max.	1.0 max.	0.75 pF	
CSP3157-5800-G	5700~5900	4.2 max.	50	0.2 max.	15.0 min.	2.0 max.	2.0 max.	1.0 max.	-	Correspondence ETC

- * Insertion loss : Including 3 dB Split loss
- Test fixture : Teflon 0.8 mm
- Operating Temperature Range : - 30~ + 85°C

Recommendable Footprint / External Mounted Parts



Unit : mm

*Uses a 50Ω microstrip line for width of input and output port.

- Noticed -
The electrical characteristics are subject to be changed by the type of substrate, thickness, mounting conditions, wiring to the terminals of this coupler, ground position, and the alike, so that please confirm its performance inside the circuit.

⚠ Specifications of products are subject to change without notice.

e-csp-p01-09



株式会社 **MKT TAISEI** Co., Ltd.

<< Head Office >> 3-10-8, Nohagi 1st Bldg, Minami-Ikebukuro, Toshima-ku, Tokyo, 171-0022, Japan.

PHONE : 81-3-3982-0029 FAX : 81-3-3986-1537 E-mail : info@mkt-taisei.com

<< Kansai Branch >> 3-18-9, Nishi-Nakajima, Yodogawa-ku, Osaka-City, 532-0011, Japan.

PHONE : 81-6-6390-7264 FAX : 81-6-6390-6945 E-mail : mkt-k@wonder.ocn.ne.jp

http://www.mkt-taisei.co.jp/